

TECHNICAL INFORMATION

OCTANORM CLEANROOM SYSTEMS

PHARMACEUTICAL AND MEDICAL ENGINEERING
Ceiling systems up to 200kg/m²

Technical data sheet

Cross joint ceiling system PD3

Sandwich ceiling system PD4

THE
WORLD
OF
SYSTEMS

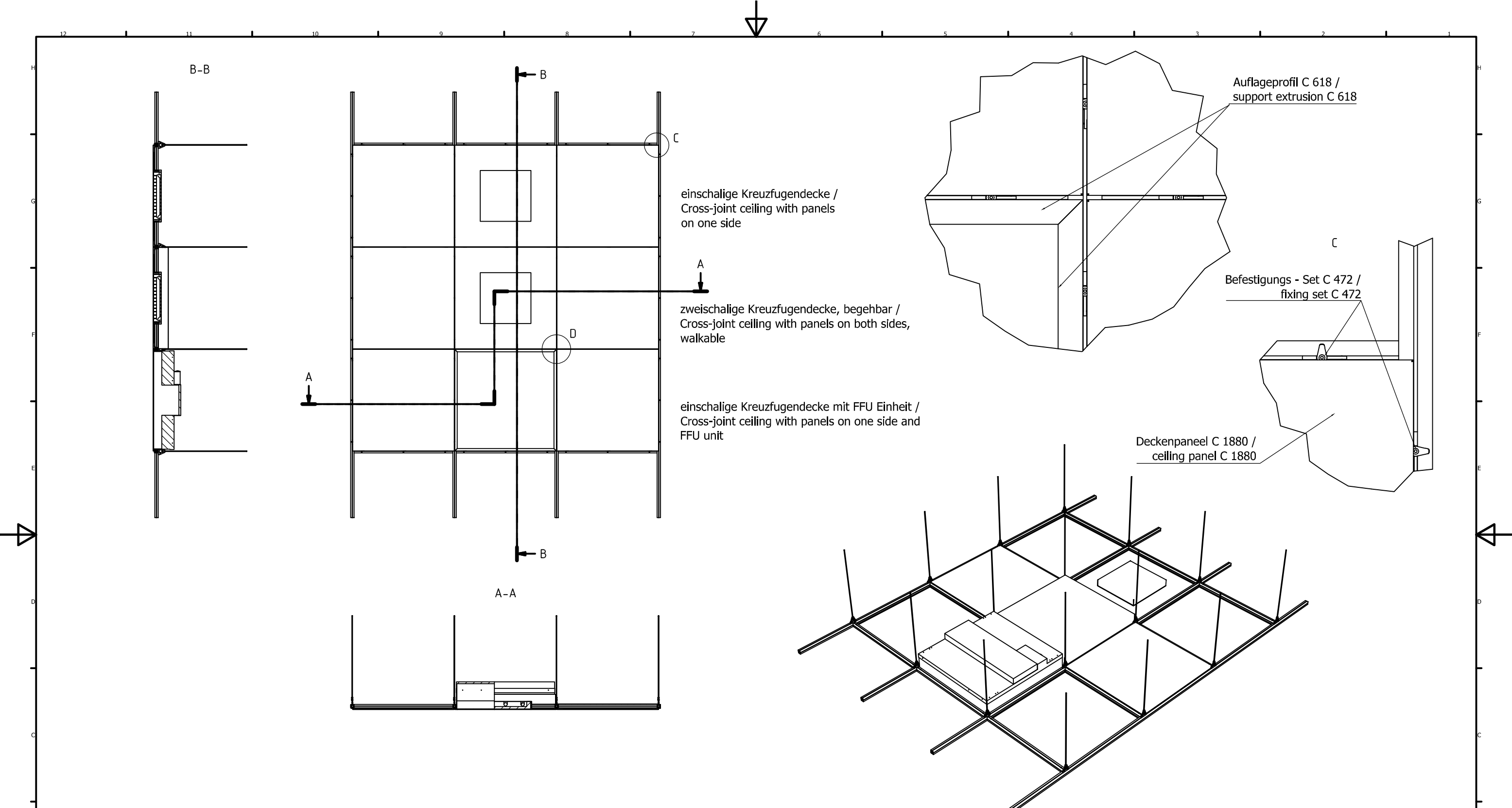
OCTANORM 




TECHNICAL DATA SHEET

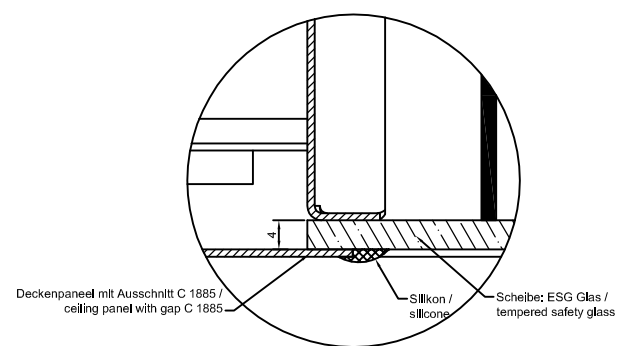
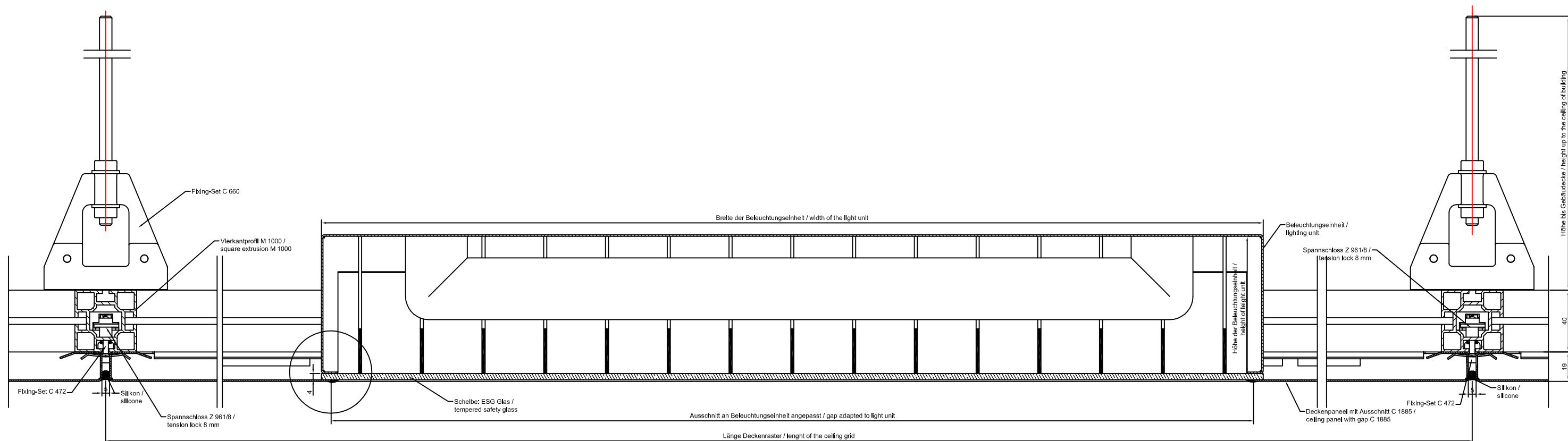
CEILING SYSTEM PD3


Ceiling system with suspended steel sheet panels Cross joint ceiling	
Surface of beam / extrusion	Aluminium, anodized, E6 EV1
Panels	1 mm Steel sheet panel
Standard color	RAL 9010
Standard grid	1200 × 1200 mm
Walkable	Yes (optional)

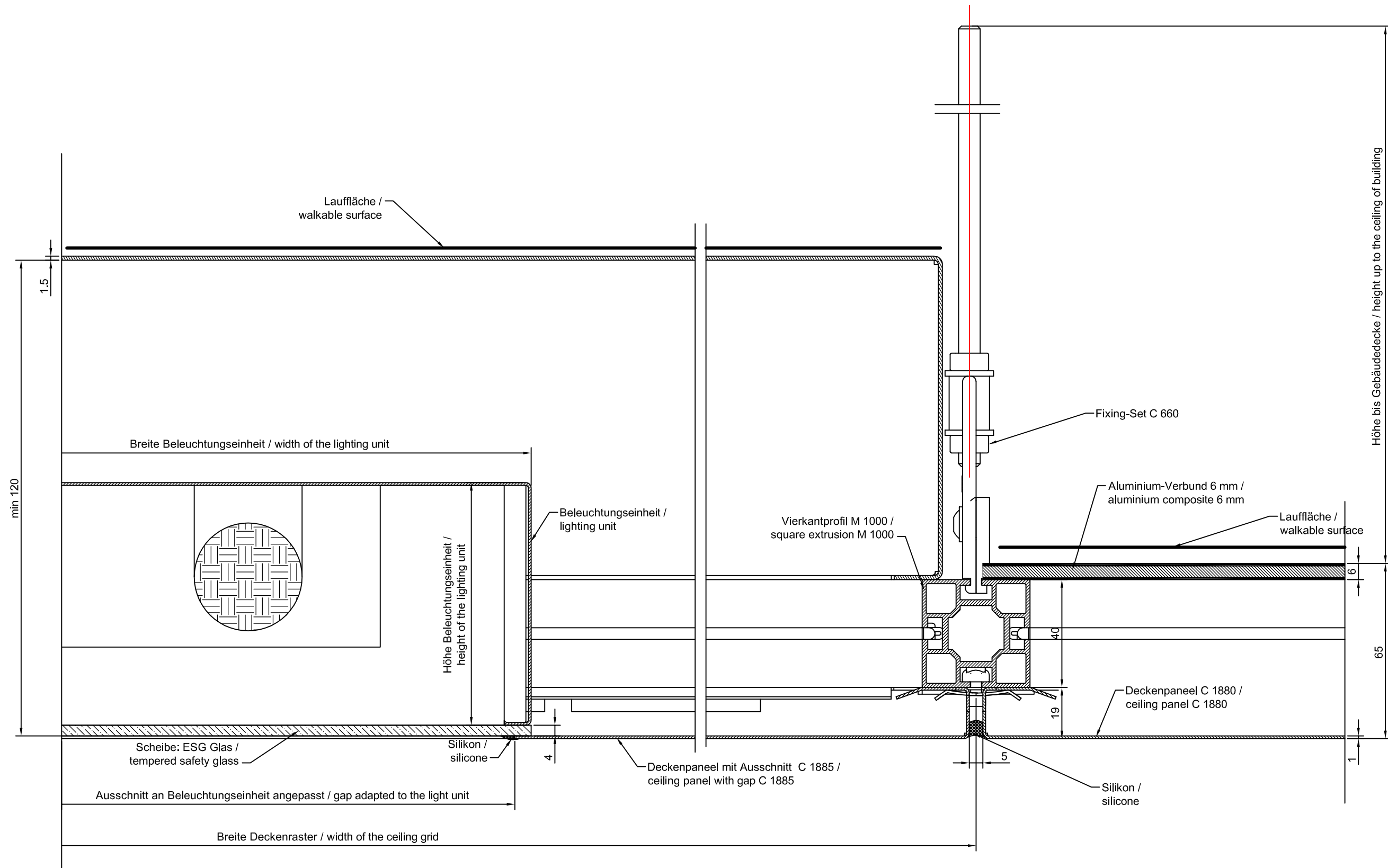



Alle Toleranzen nach DIN ISO 2768 mittel			Material		
<small>This drawing is our literary property and may neither copied nor to be exposed approachable to third persons without our agreement; according to German Copyright Act</small>					
			Datum	Name	Description / Bezeichnung: Kreuzfugendecken, einschalig, zweischalig, begehbar, integrierte FFU Einheit / Cross-Joint ceiling with lighting, single-leaf, double-leaf walkable and integrated FFU
		Gezeichnet	06.08.2014	jk	
		Kontrolliert			
		Norm			
			Projekt Nr.		Z-Nr: VRS_PD3_10_0001
			PRO_XXX		
Status	Änderungen	Datum	Name		

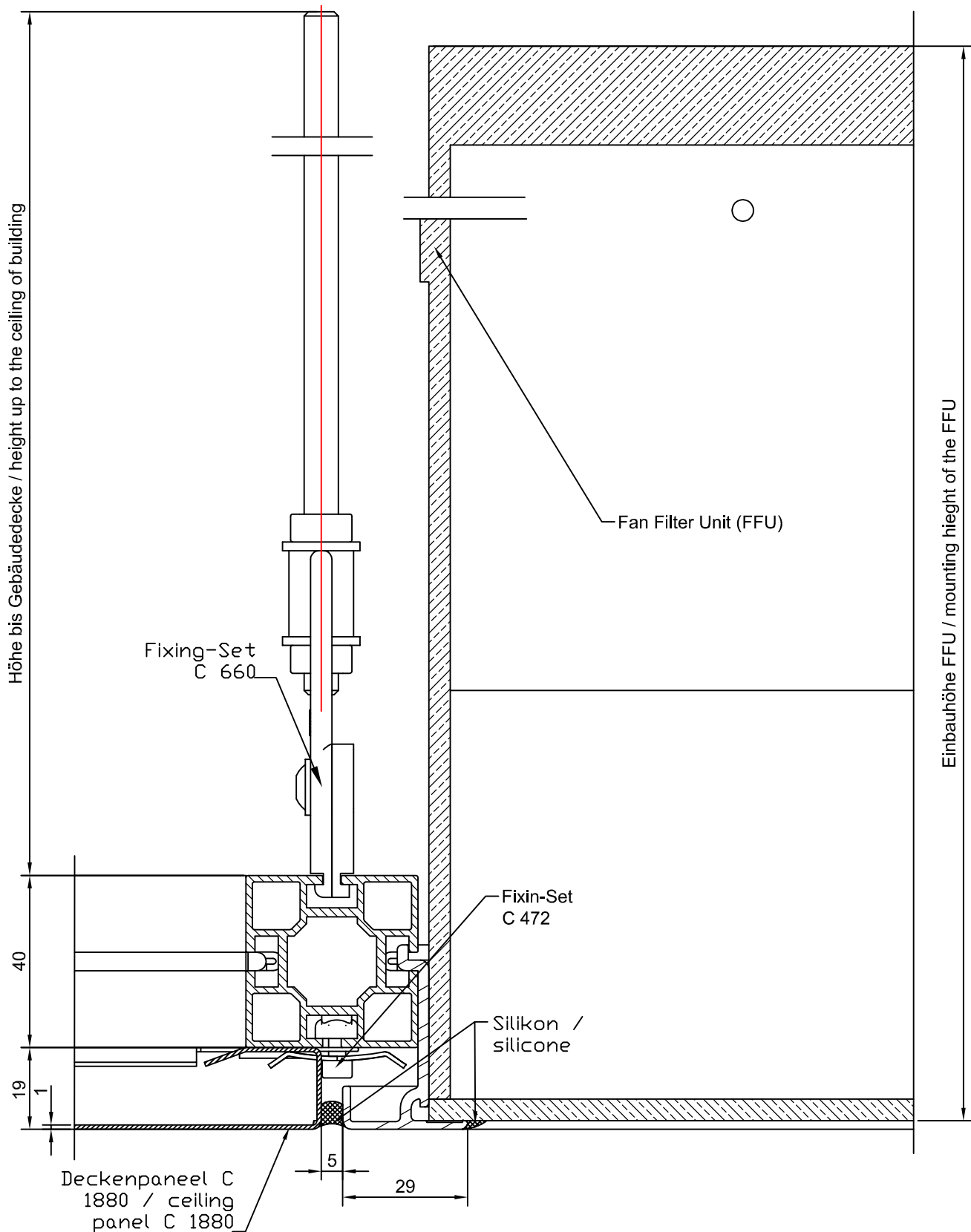
1
A3



Alle Toleranzen nach DIN ISO 2768 mittel				Material		
This drawing is our literary property and may neither copied nor to be exposed approachable to third persons without our agreement; according to German Copyright Act						
				Datum	Name	Description / Bezeichnung: Kreuzfugendecke mit Beleuchtungseinheit, einschalig / Cross-Joint ceiling with lighting, single-leaf
				Gezeichnet	06.08.2014 jk	
				Kontrolliert		
				Norm		
				Projekt Nr.		Z-Nr: VRS_PD3_11_0001
				PRO_XXX		
Status	Änderungen	Datum	Name			<div style="text-align: right; font-size: 24pt; font-weight: bold;">1</div> <div style="text-align: right; font-size: 18pt; font-weight: bold;">A3</div>



Alle Toleranzen nach DIN ISO 2768 mittel				Material		
This drawing is our literary property and may neither copied nor to be exposed approachable to third persons without our agreement; according to German Copyright Act						
				Datum	Name	Description / Bezeichnung: Kreuzfugendecke mit Beleuchtungseinheit, begehbar / Cross-joint ceiling with lighting, walkable
				Gezeichnet	06.08.2014 jk	
				Kontrolliert		
				Norm		
				Projekt Nr.		Z-Nr: VRS_PD3_12_0001
				PRO_XXX		
Status	Änderungen	Datum	Name			1
						A3



Alle Toleranzen nach DIN ISO 2768 mittel

Material

This drawing is our literary property and may neither copied nor to be exposed approachable to third persons without our agreement; according to German Copyright Act

OCTANORM 

Datum

Name

Description / Bezeichnung:

Kreuzfugendecke mit eingebautem FFU /
Cross-Joint ceiling with integral FFU

Gezeichnet

06.08.2014

jk

Kontrolliert

Norm

Projekt Nr.

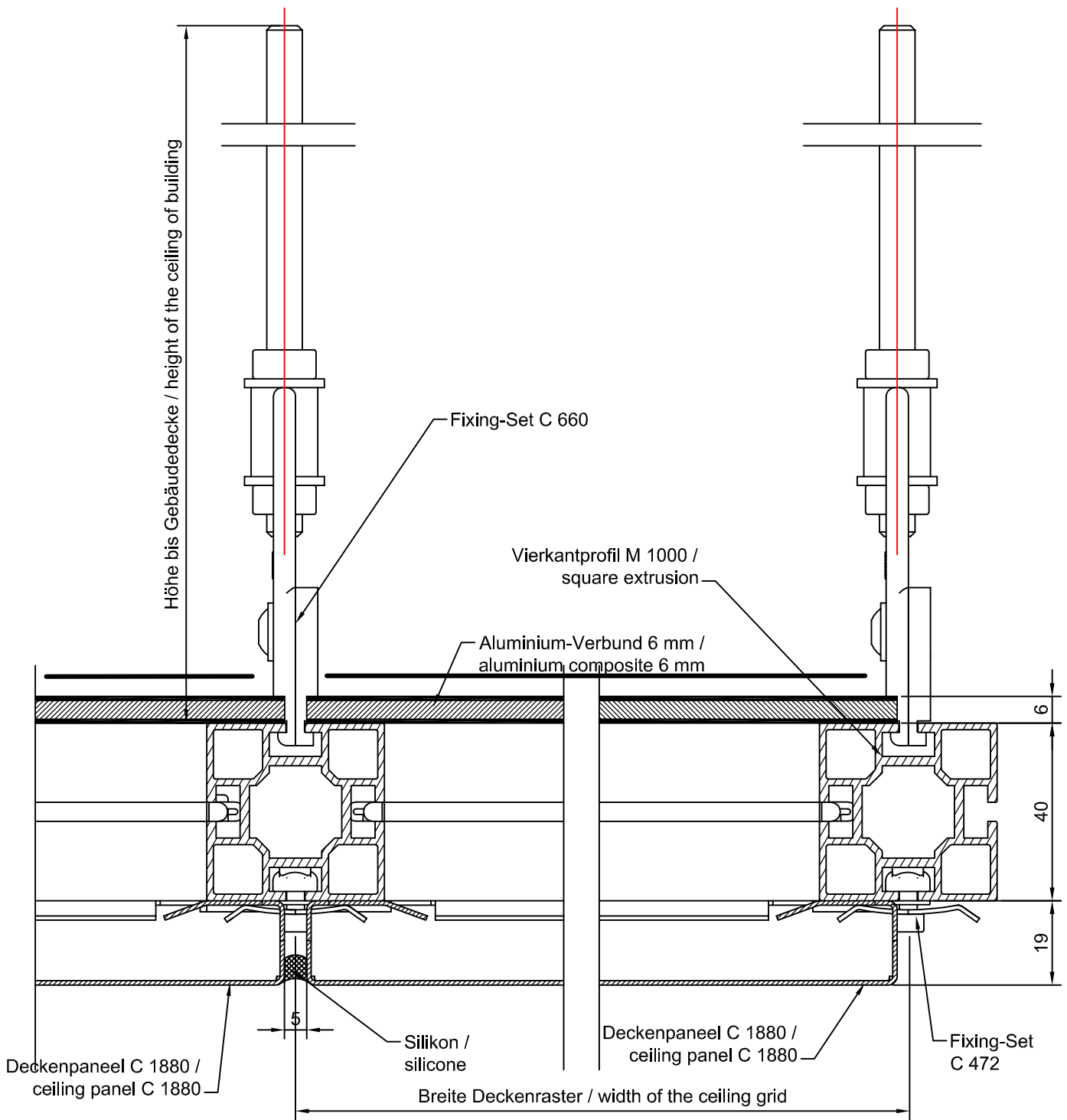
PRO_XXX

Z-Nr: VRS_PD3_12_0002

1

A4

Status	Änderungen	Datum	Name



Alle Toleranzen nach DIN ISO 2768 mittel

Material

This drawing is our literary property and may neither copied nor to be exposed approachable to third persons without our agreement; according to German Copyright Act

OCTANORM 

Datum Name

Description / Bezeichnung:

Gezeichnet 06.08.2014 jk

Kreuzfugendecke, begebar /
Cross-Joint ceiling, walkable

Kontrolliert

Norm

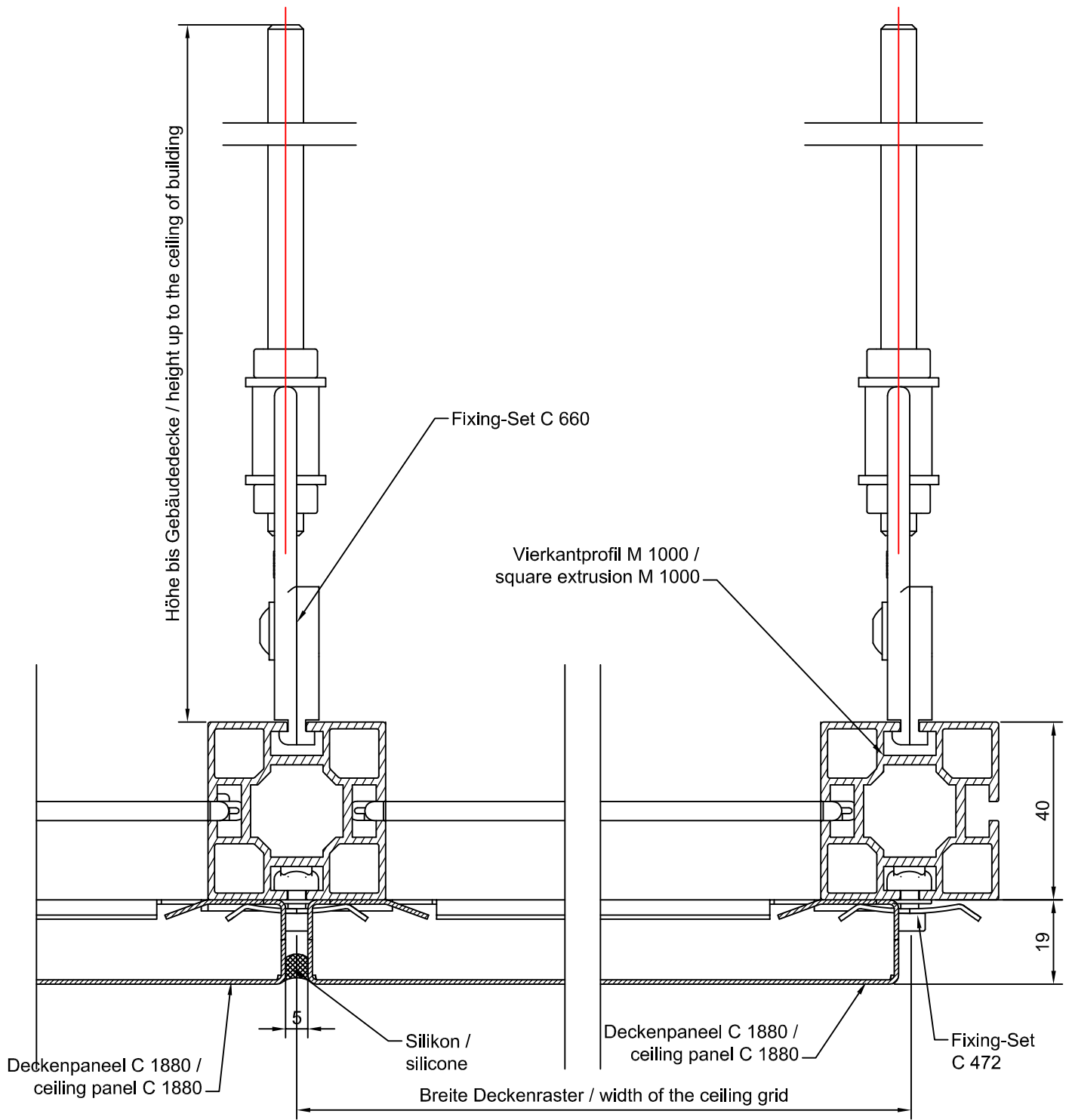
Projekt Nr.
PRO_XXX

Z-Nr: VRS_PD3_12_0003

1

A4

Status Änderungen Datum Name



Alle Toleranzen nach DIN ISO 2768 mittel

Material

This drawing is our literary property and may neither copied nor to be exposed approachable to third persons without our agreement; according to German Copyright Act

OCTANORM 

Datum Name

Description / Bezeichnung:

Gezeichnet 06.08.2014 jk

Kreuzfugendecke, einschalig /
Cross-Joint ceiling, single-leaf

Kontrolliert

Norm

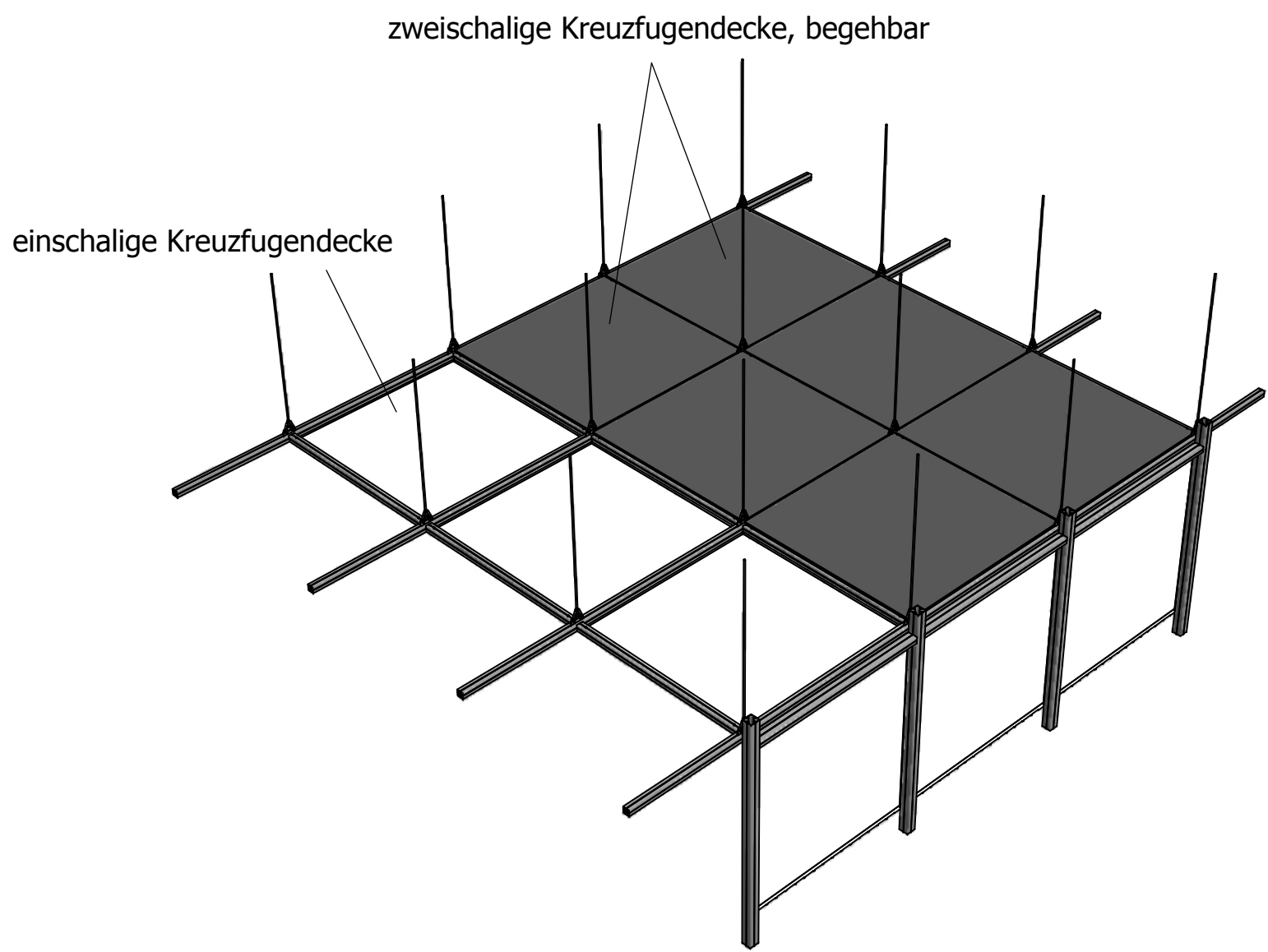
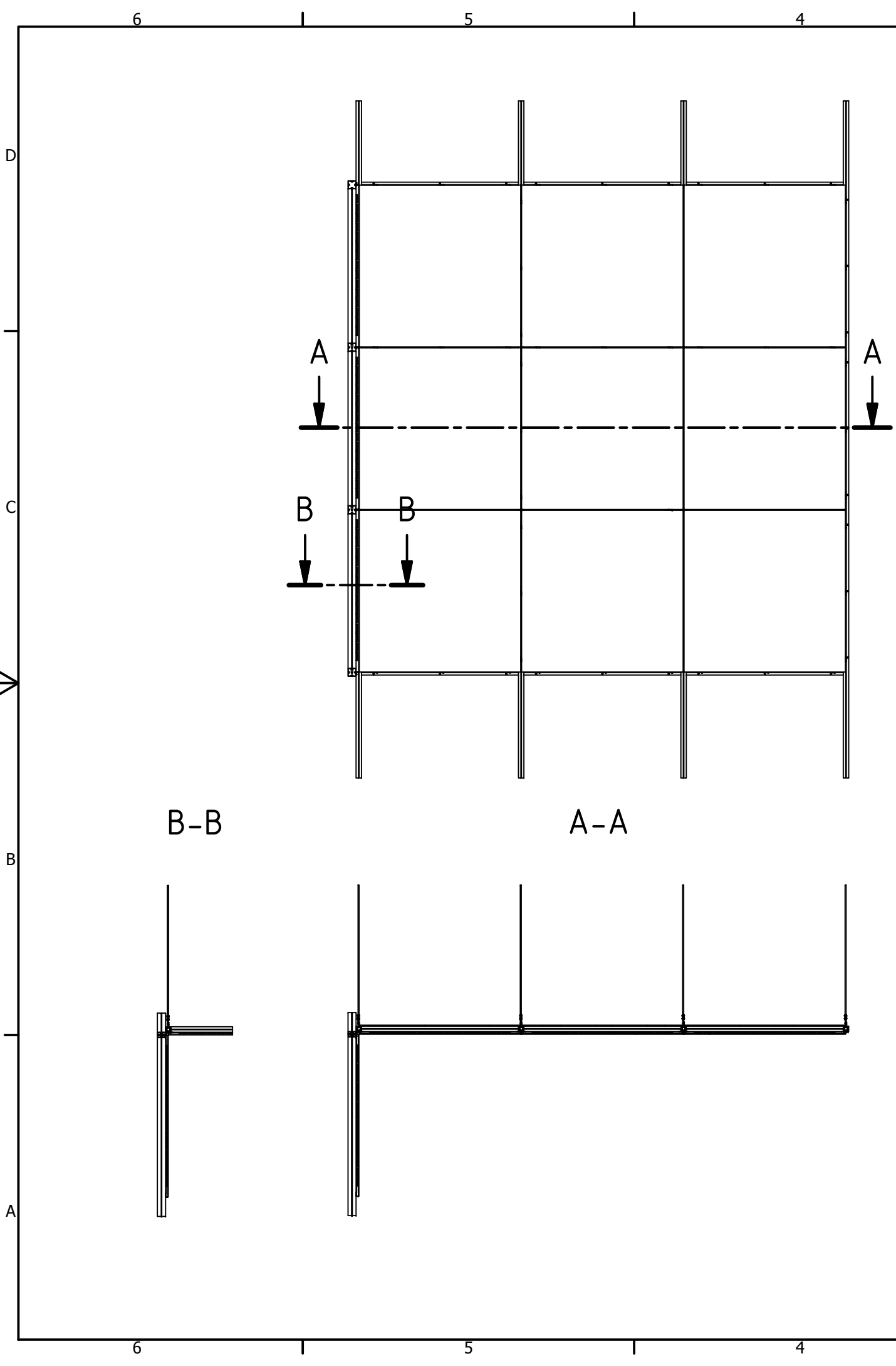
Projekt Nr.
PRO_XXX


Z-Nr: VRS_PD3_12_0004

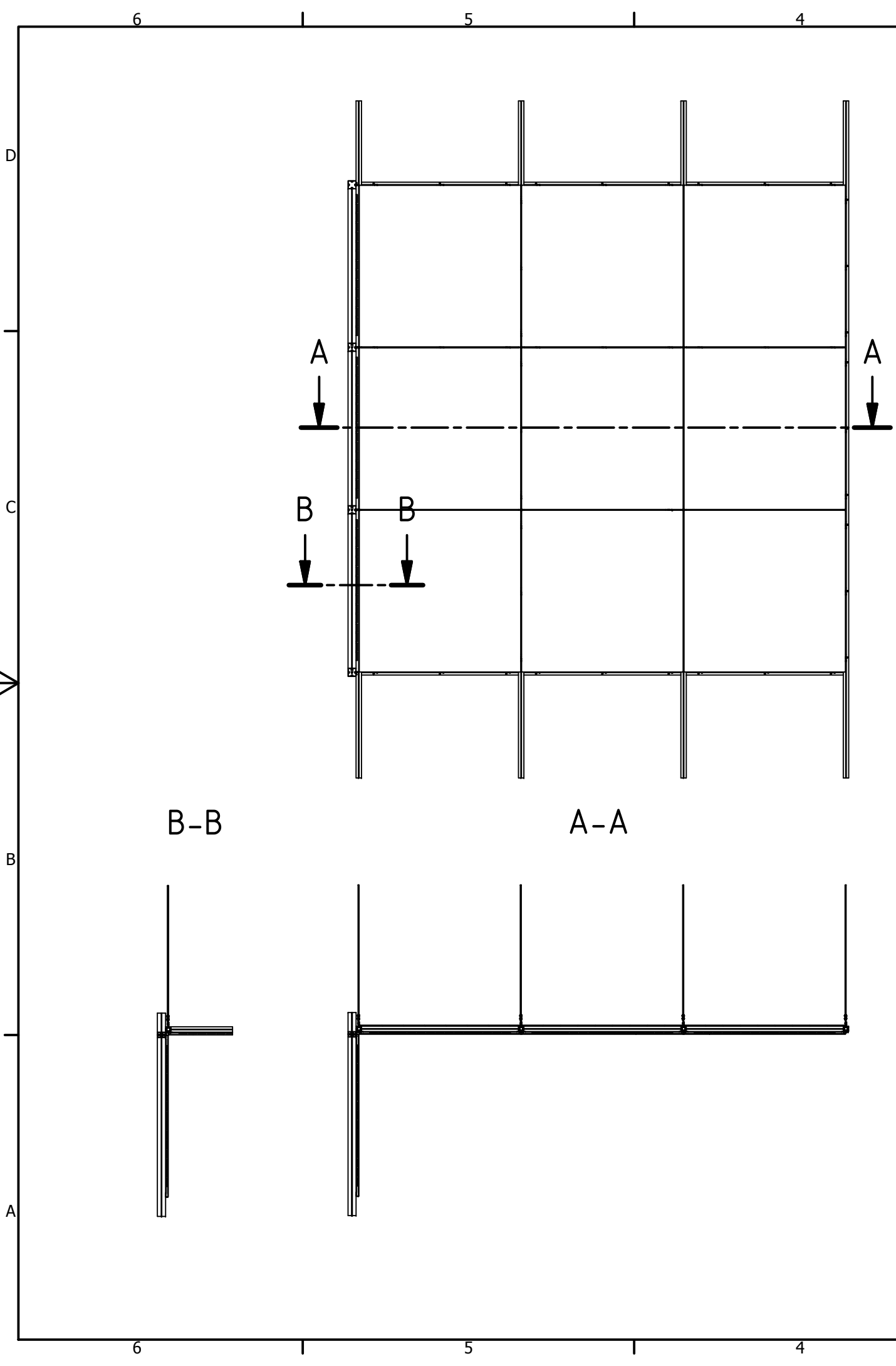
1

A4

Status Änderungen Datum Name

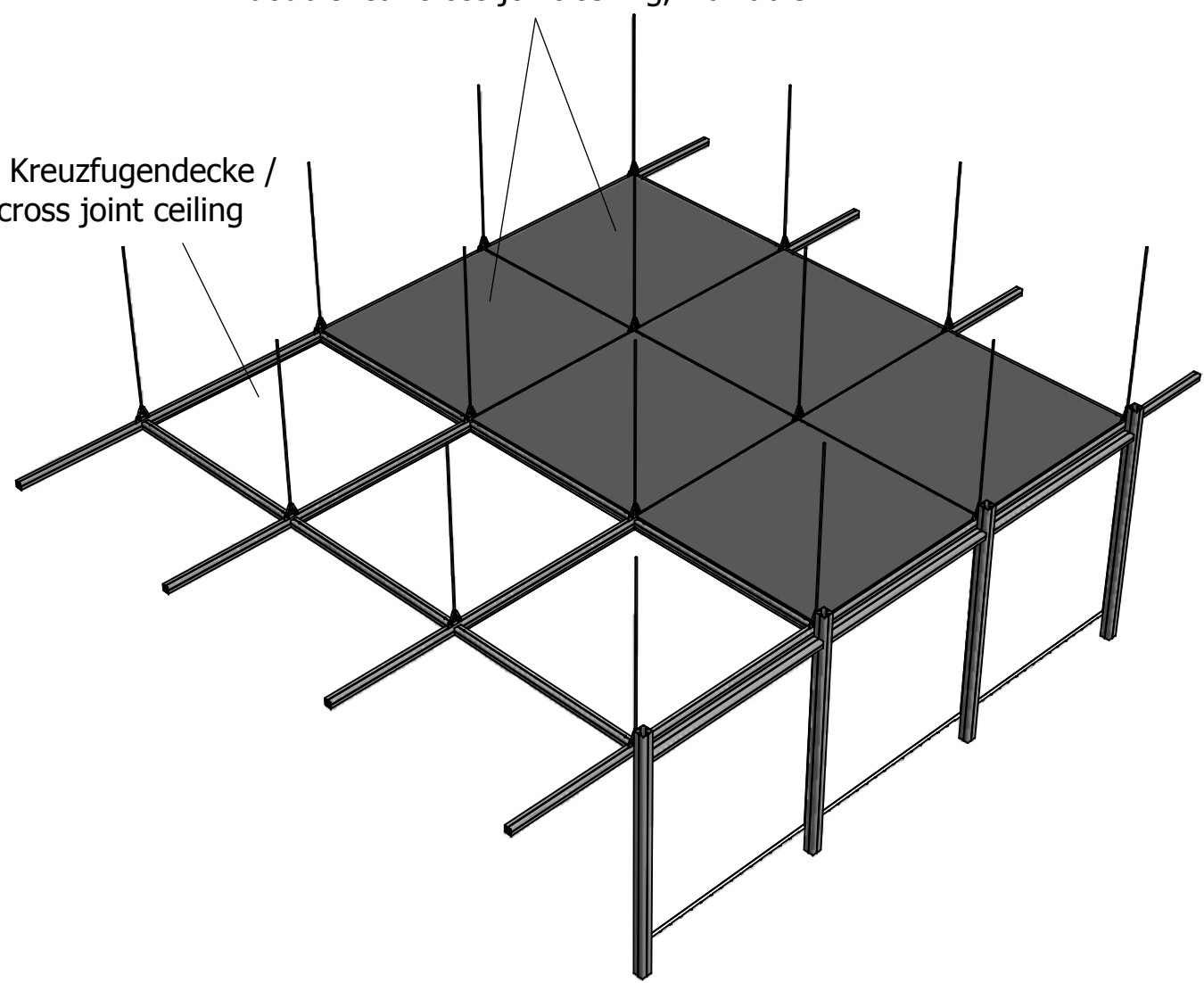


Alle Toleranzen nach DIN ISO 2768 mittel				Material		
This drawing is our literary property and may neither copied nor to be exposed approachable to third persons without our agreement; according to German Copyright Act						
				Datum	Name	Bezeichnung: Deckenanschluss an Wand / Ceiling connection to wall
				Gezeichnet	07.08.2014 jk	
				Kontrolliert		
				Norm		Z-Nr:VRS_PD3_20_0001
				Projekt Nr.		
Status	Änderungen	Datum	Name			1 A3




zweischalige Kreuzfugendecke, begehbar /
double leaf cross joint ceiling, walkable

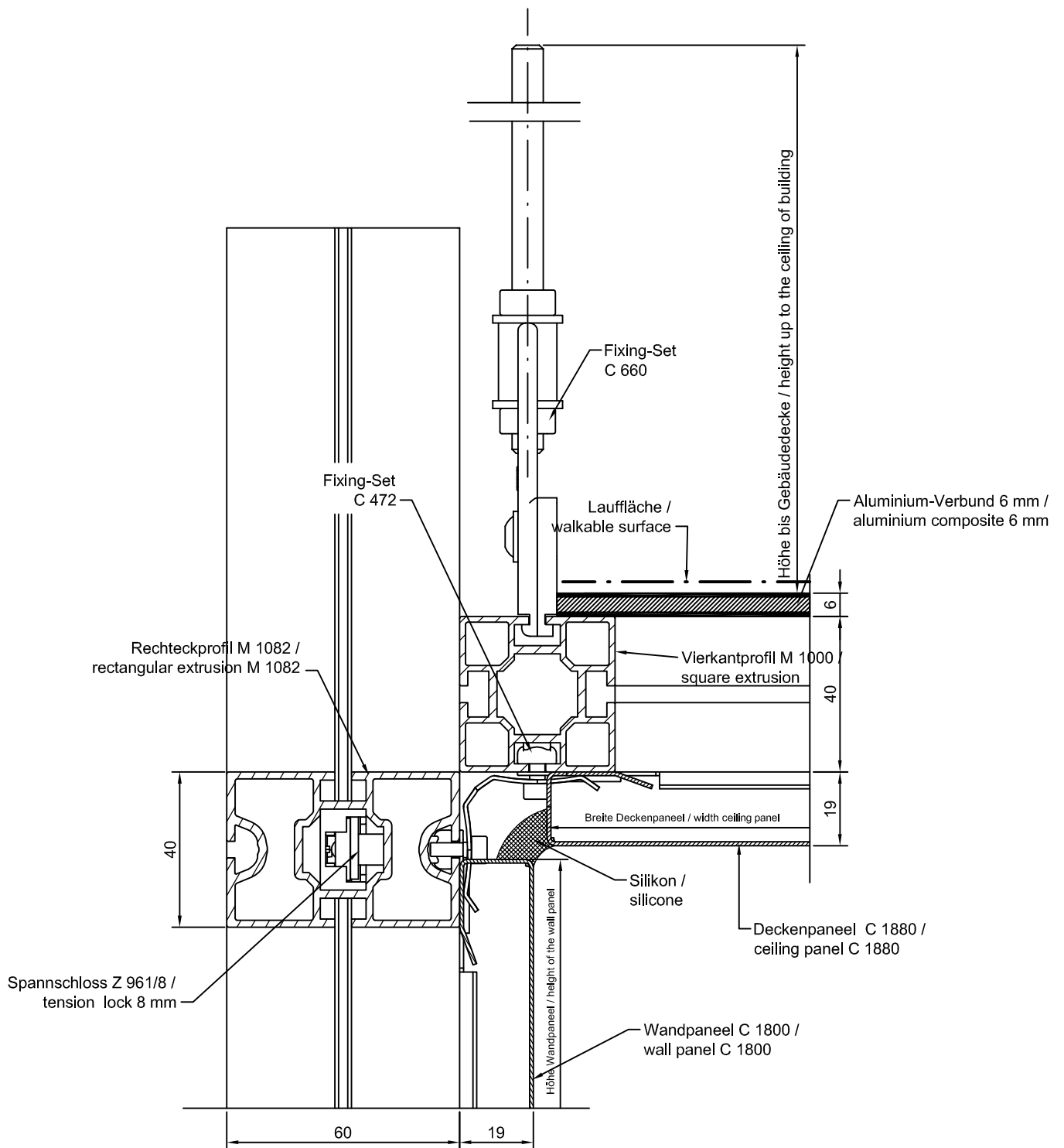
einschalige Kreuzfugendecke /
single leaf cross joint ceiling




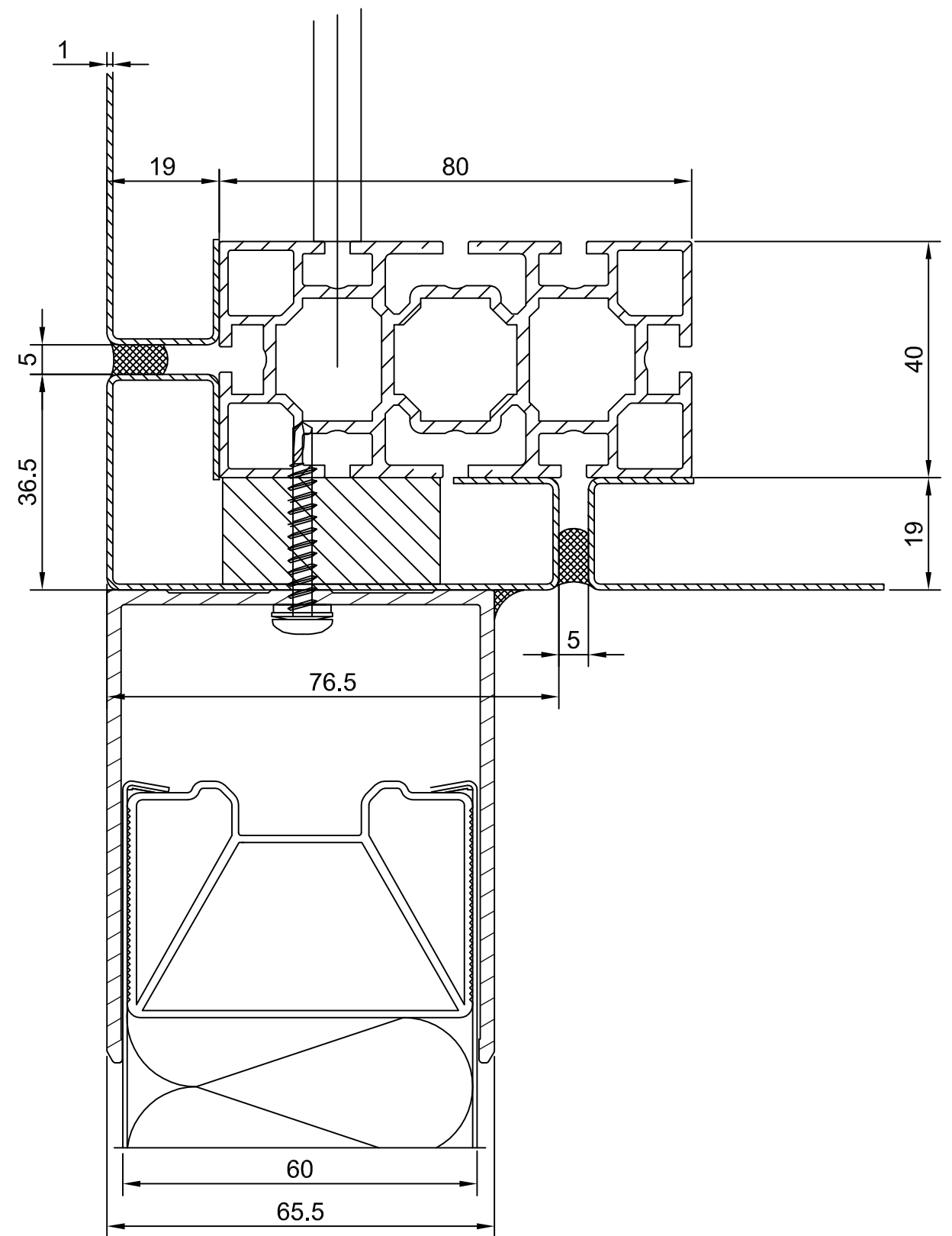
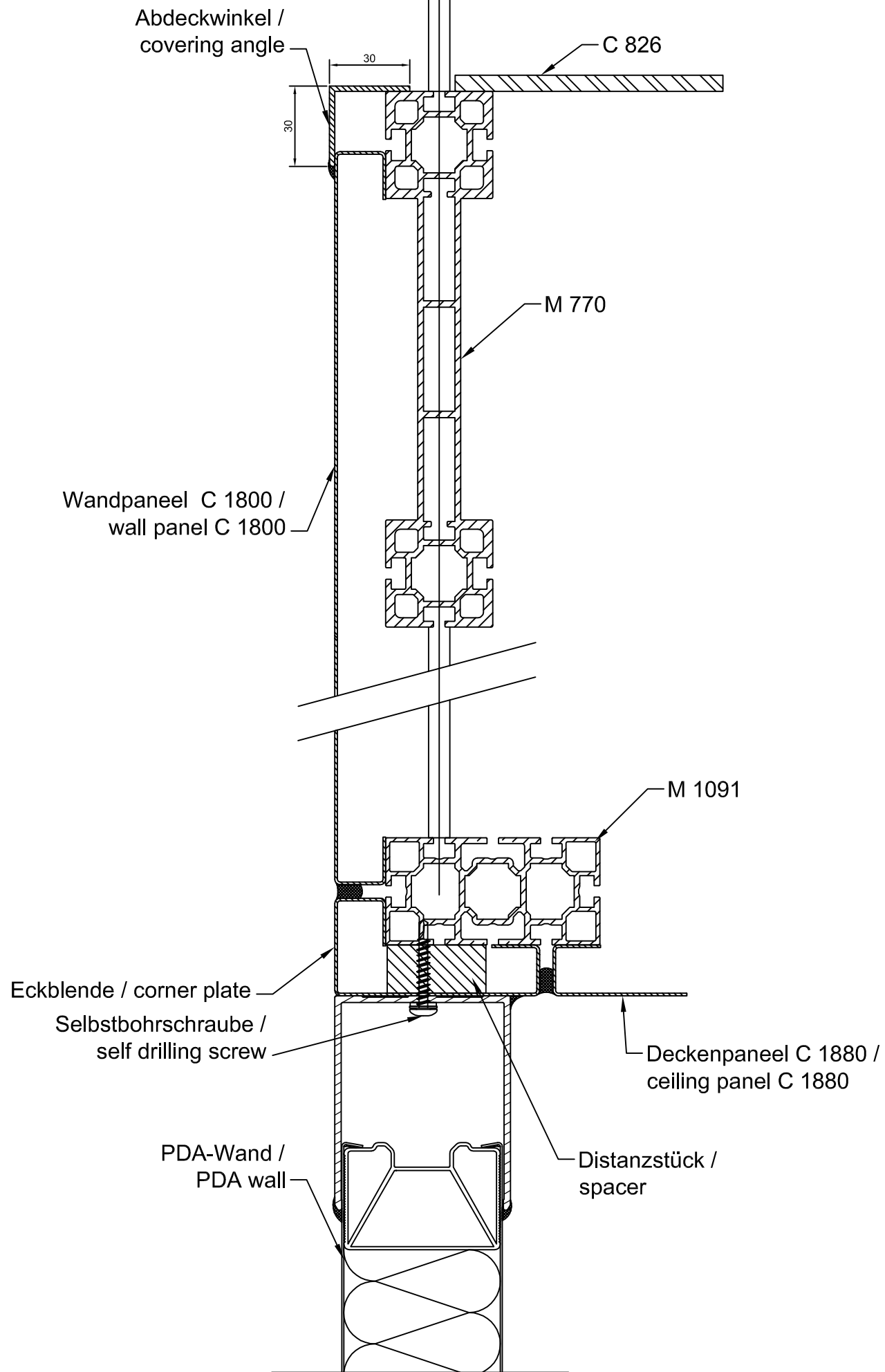
B-B

A-A

Alle Toleranzen nach DIN ISO 2768 mittel				Material		
This drawing is our literary property and may neither copied nor to be exposed approachable to third persons without our agreement; according to German Copyright Act						
				Datum	Name	Bezeichnung: Deckenanschluss an Wand / Ceiling connection to wall
				Gezeichnet	07.08.2014 jk	
				Kontrolliert		
				Norm		Z-Nr:VRS_PD3_20_0001
				Projekt Nr.		
Status	Änderungen	Datum	Name			1 A3



Alle Toleranzen nach DIN ISO 2768 mittel				Material		
This drawing is our literary property and may neither copied nor to be exposed approachable to third persons without our agreement; according to German Copyright Act						
				Datum	Name	Bezeichnung: Schnitt B Deckenanschluss an P98-Wand, begehbar / Ceiling connection to P98-wall, passable
			Gezeichnet	06.08.2014	jk	
			Kontrolliert			
			Norm			
				Projekt Nr.		Z-Nr: VRS_PD3_22_0002
Status	Änderungen	Datum	Name			1 A4



Alle Toleranzen nach DIN ISO 2768 mittel

This drawing is our literary property and may neither copied nor to be exposed approachable to third persons without our agreement; according to German Copyright Act

Material

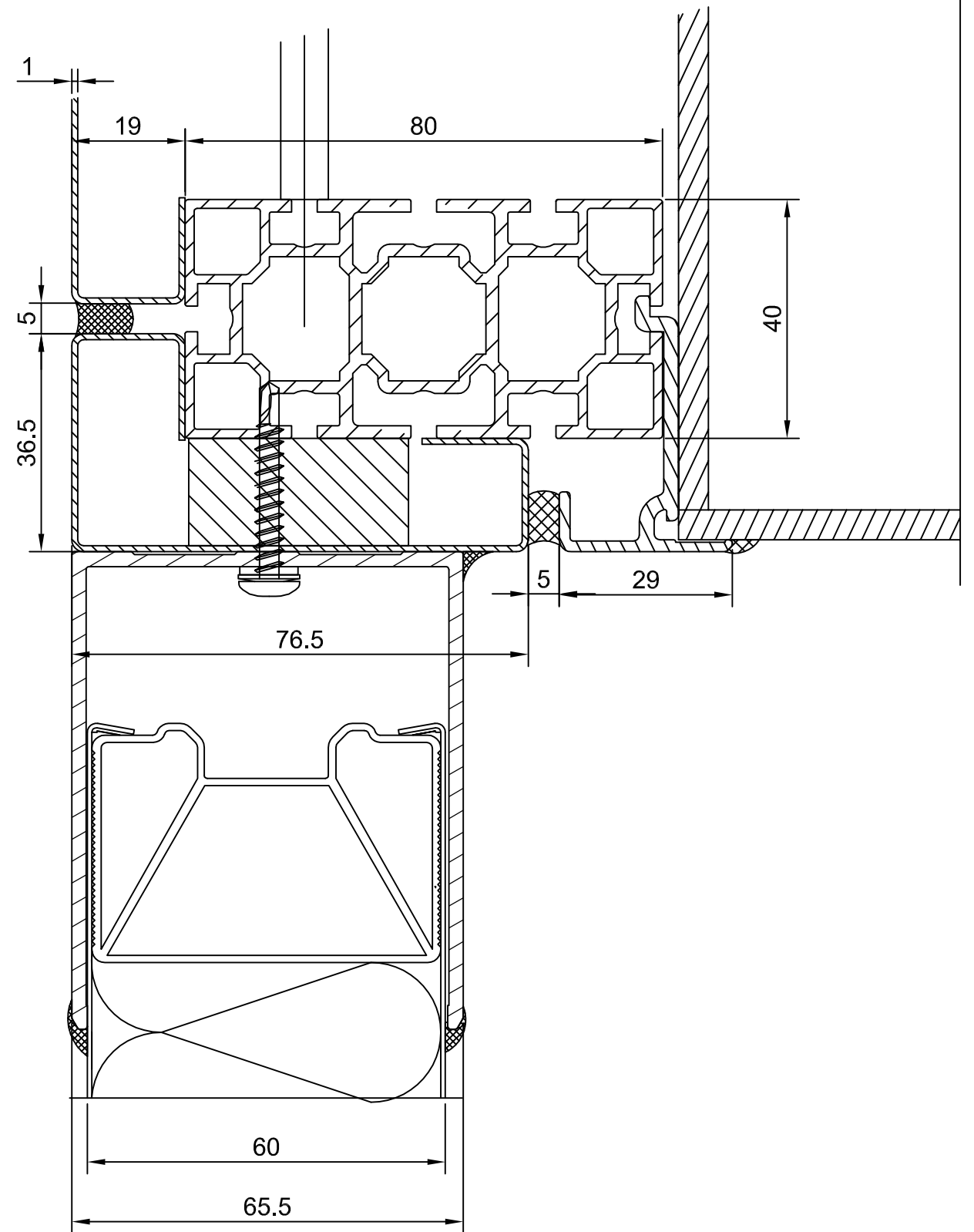
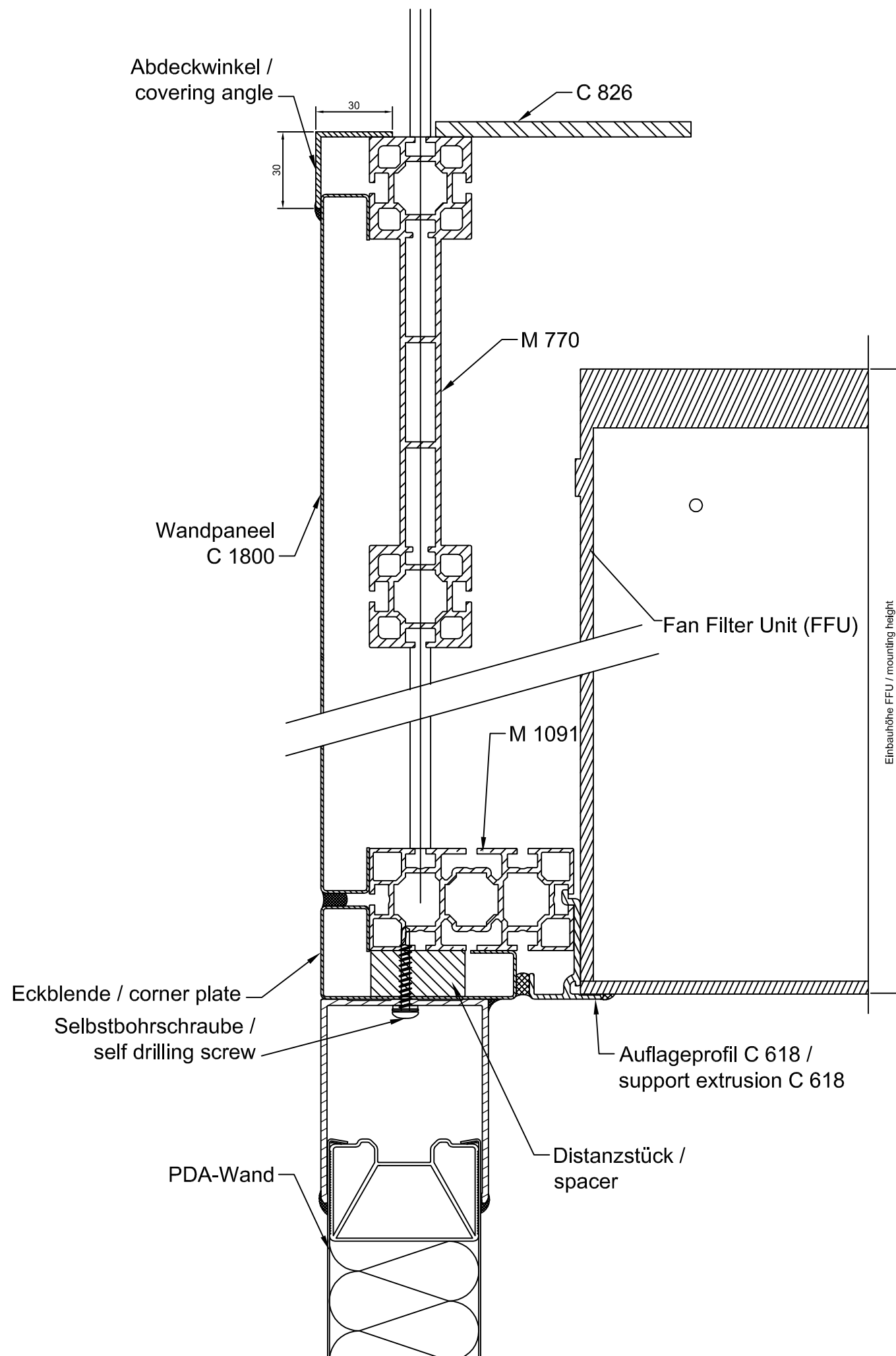



				Datum	Name
				Gezeichnet 06.08.2014	jk
				Kontrolliert	
				Norm	
				Projekt Nr.	
Status	Änderungen	Datum	Name		

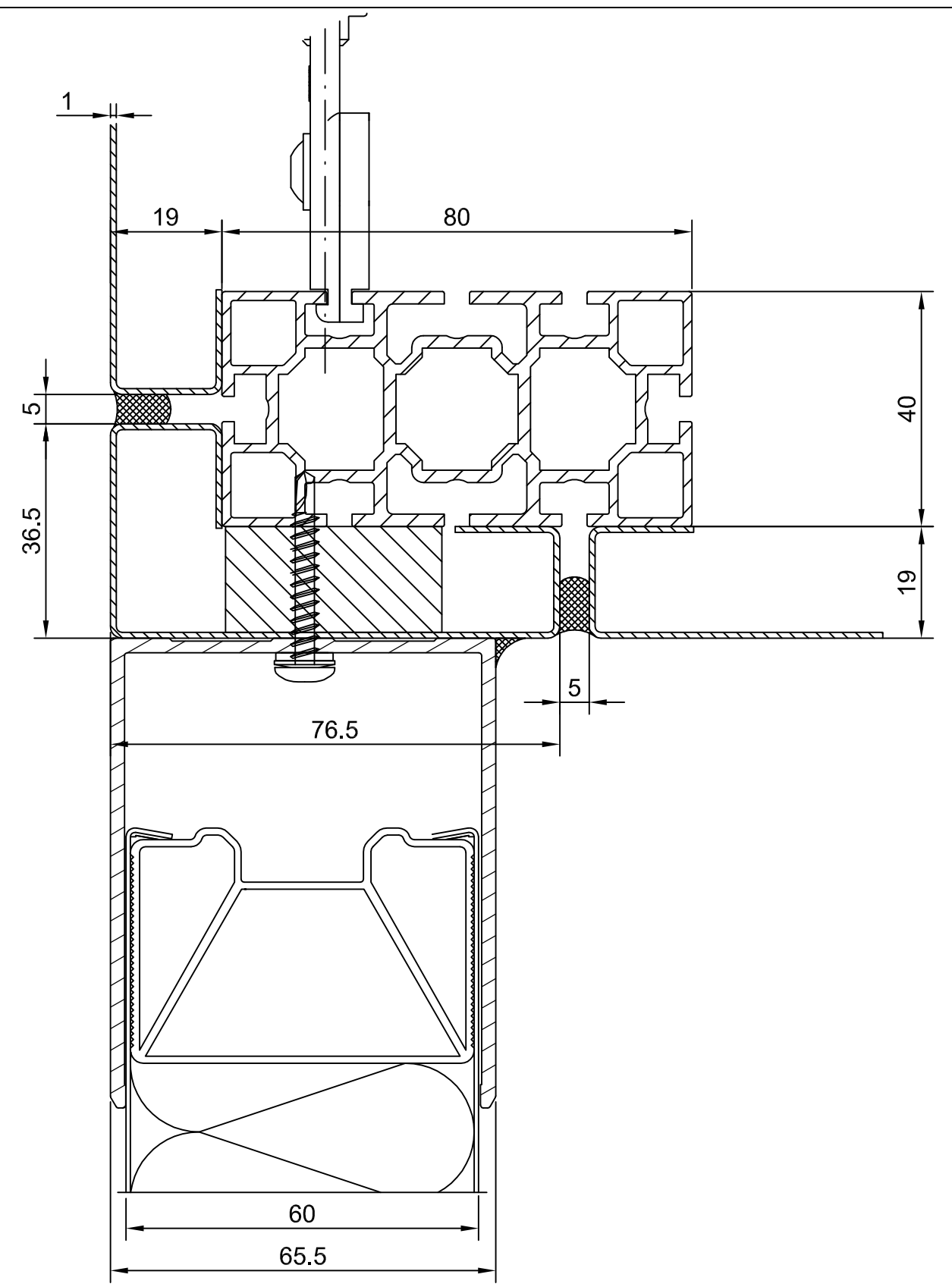
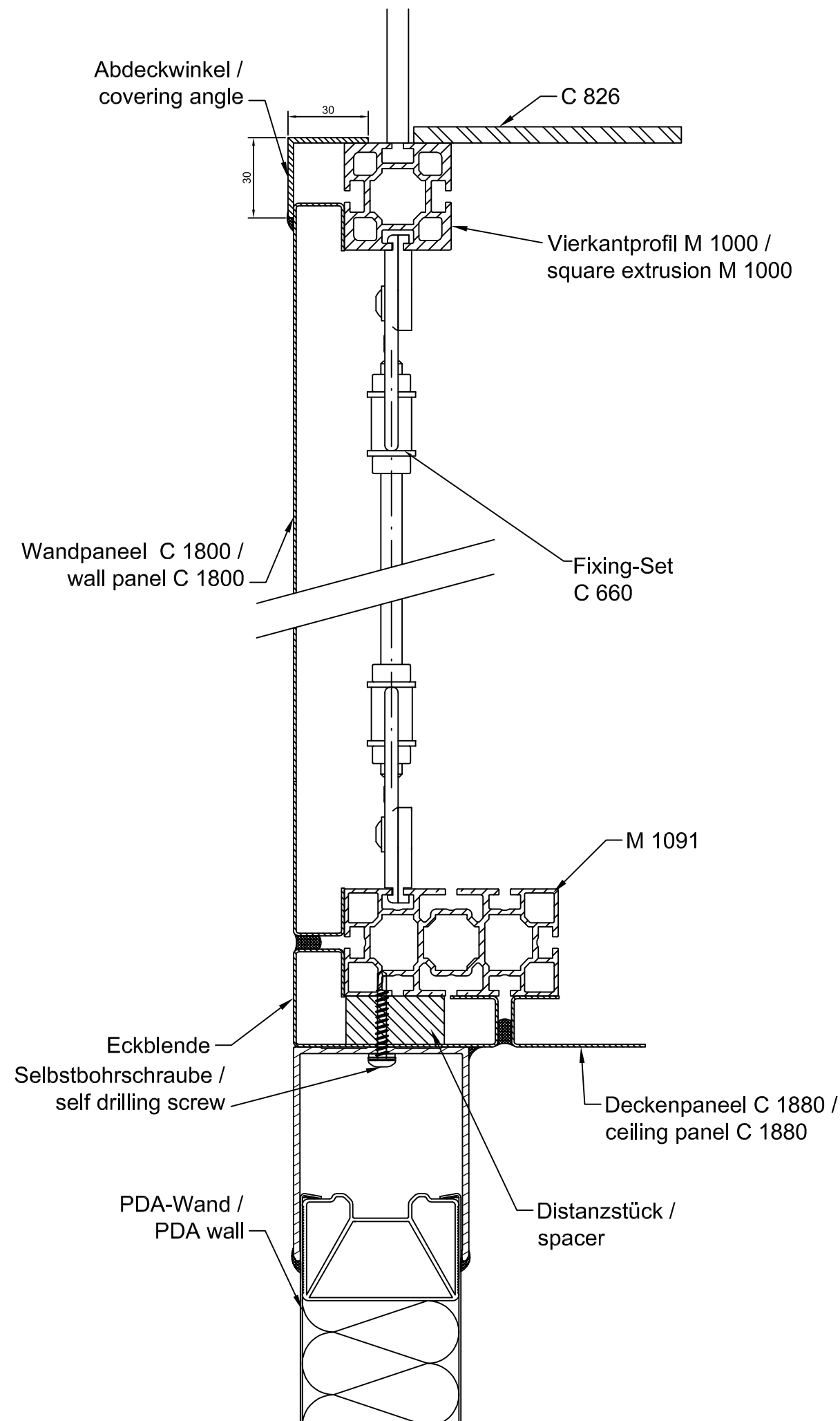
Bezeichnung:
Deckenanschluss an PDA-Wand /
Ceiling connection to PDA-wall


Z-Nr: VRS_PD3_22_0003

1
A3



Alle Toleranzen nach DIN ISO 2768 mittel				Material		
This drawing is our literary property and may neither copied nor to be exposed approachable to third persons without our agreement; according to German Copyright Act						
				Datum	Name	Bezeichnung: Deckenanschluss an PDA-Wand mit FFU/ Ceiling connection to PDA-wall with FFU
				Gezeichnet	06.08.2014 jk	
				Kontrolliert		
				Norm		Z-Nr: VRS_PD3_22_0004
				Projekt Nr.		
Status	Änderungen	Datum	Name			1 A3



Alle Toleranzen nach DIN ISO 2768 mittel				Material		
This drawing is our literary property and may neither copied nor to be exposed approachable to third persons without our agreement; according to German Copyright Act				Datum	Name	
				Gezeichnet	06.08.2014	jk
				Kontrolliert		
				Norm		
				Projekt Nr.		Bezeichnung: Deckenanschluss an PDA-Wand mit C 660 / Ceiling connection to PDA-wall with C 660
Status	Änderungen	Datum	Name			Z-Nr: VRS_PD3_22_0005
						1
						A3

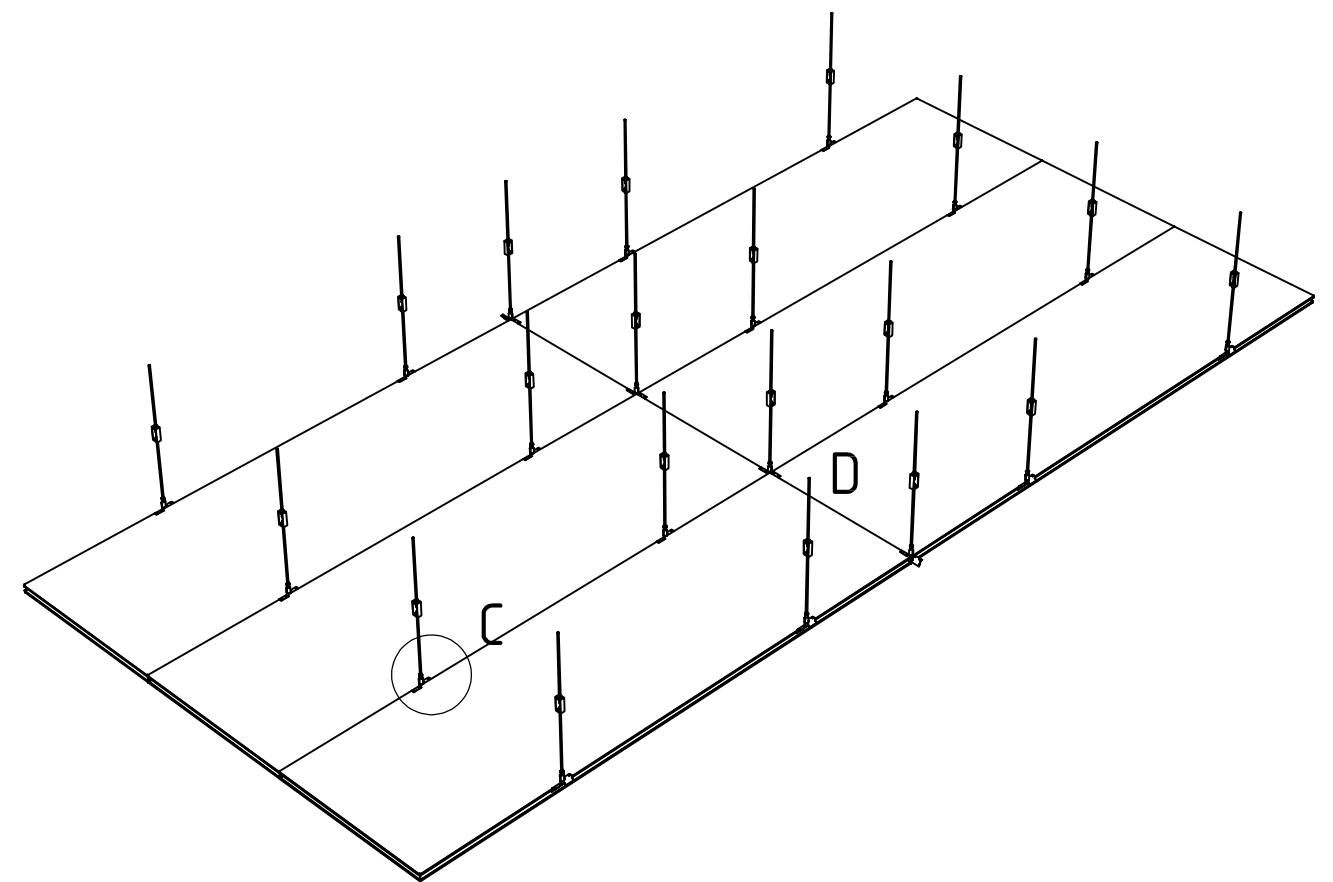
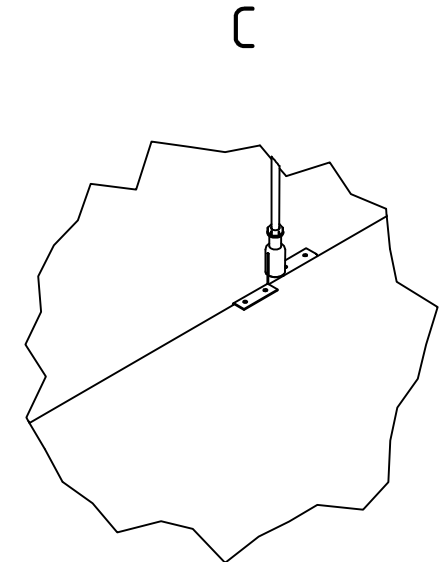
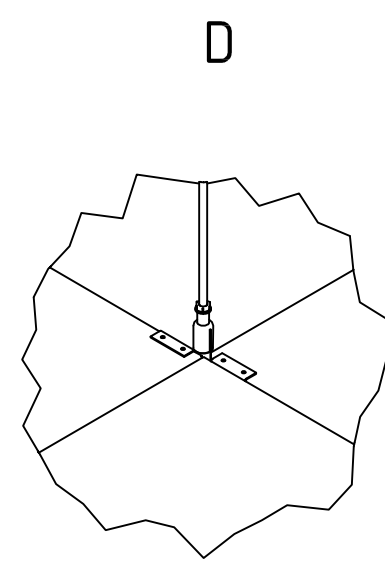
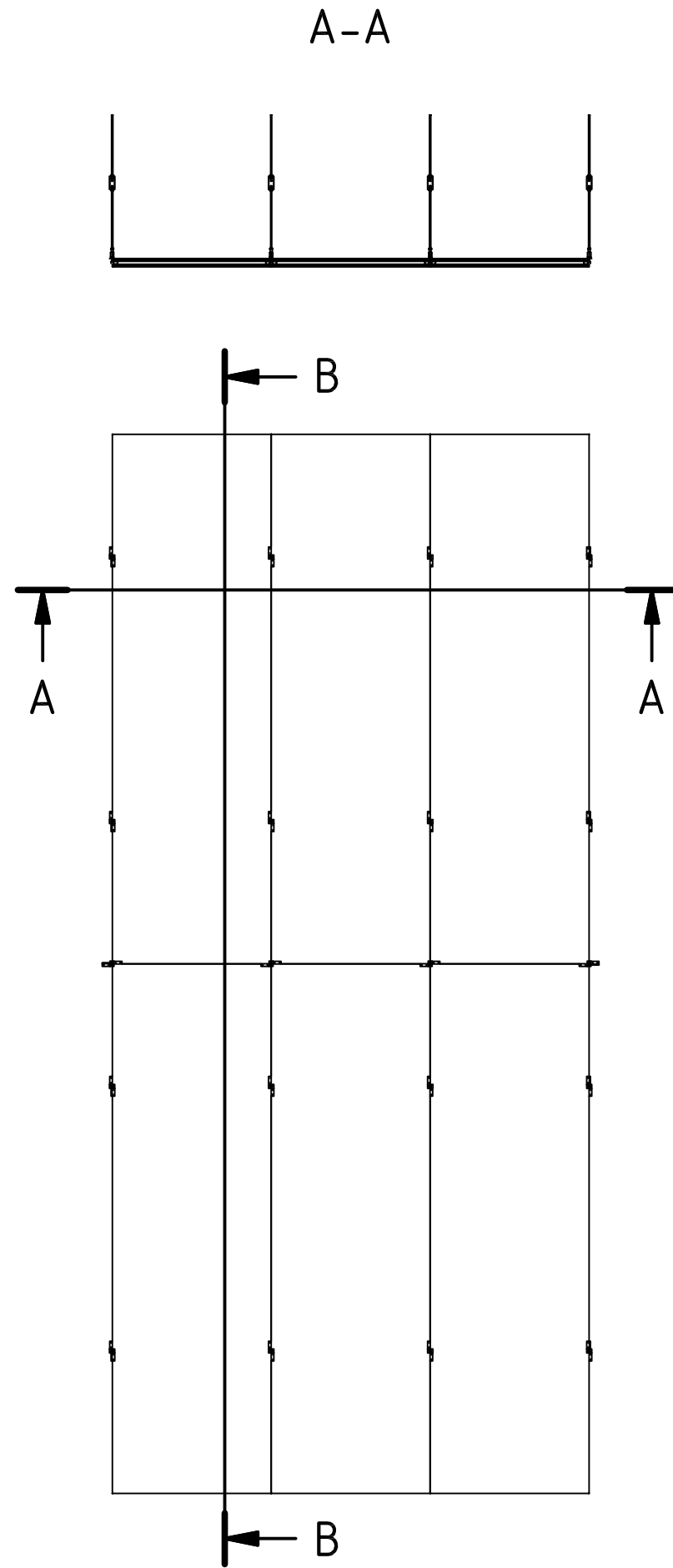
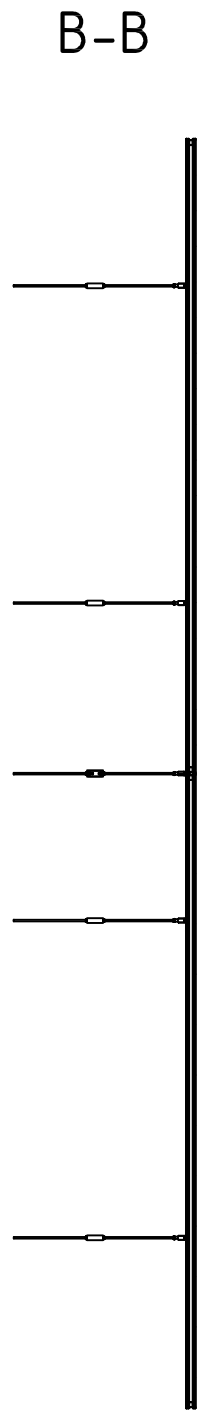



TECHNICAL DATA SHEET

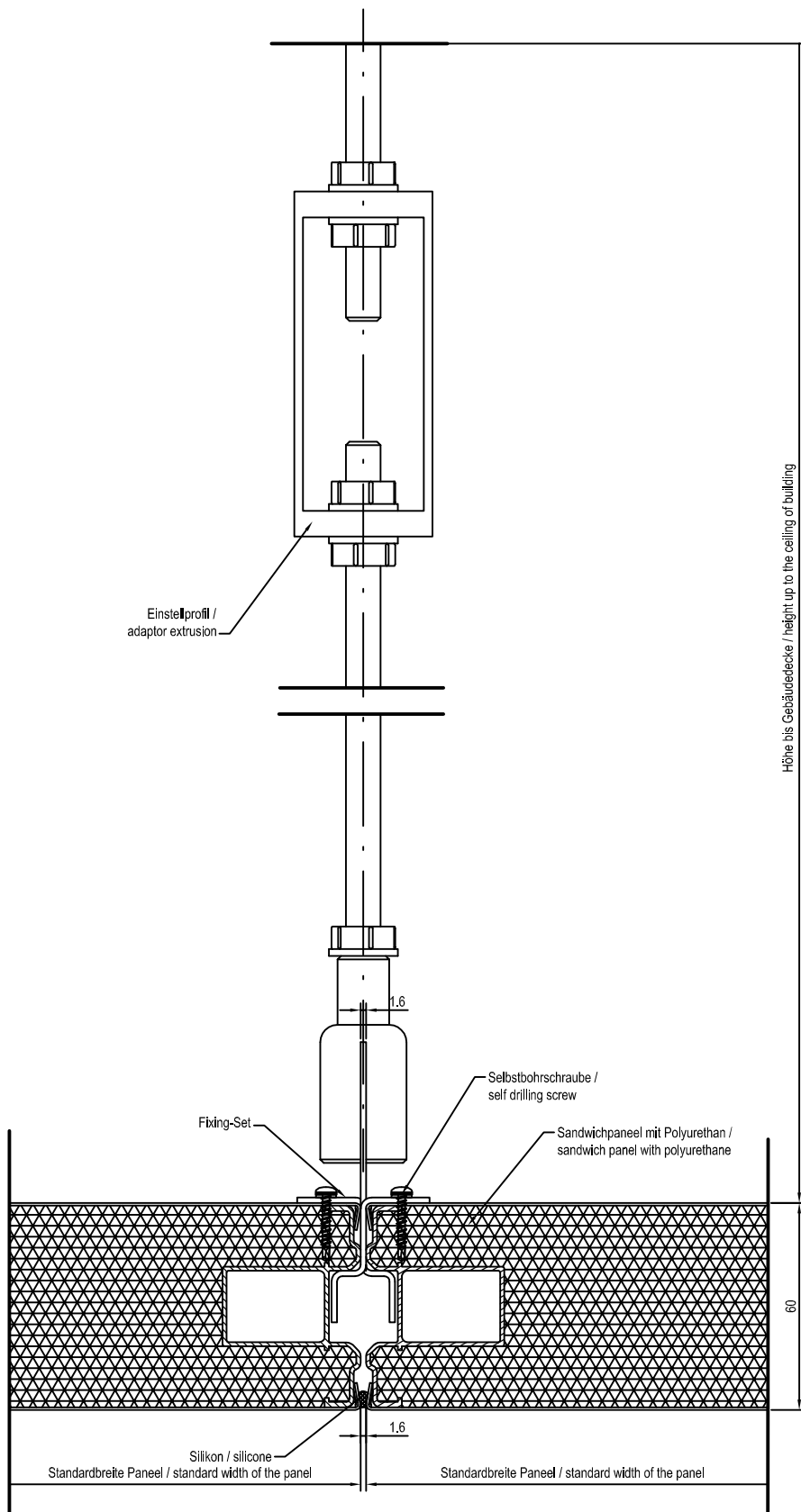
CEILING SYSTEM PD4


Ceiling system with inlaid sandwich panels
Modular sandwich ceiling

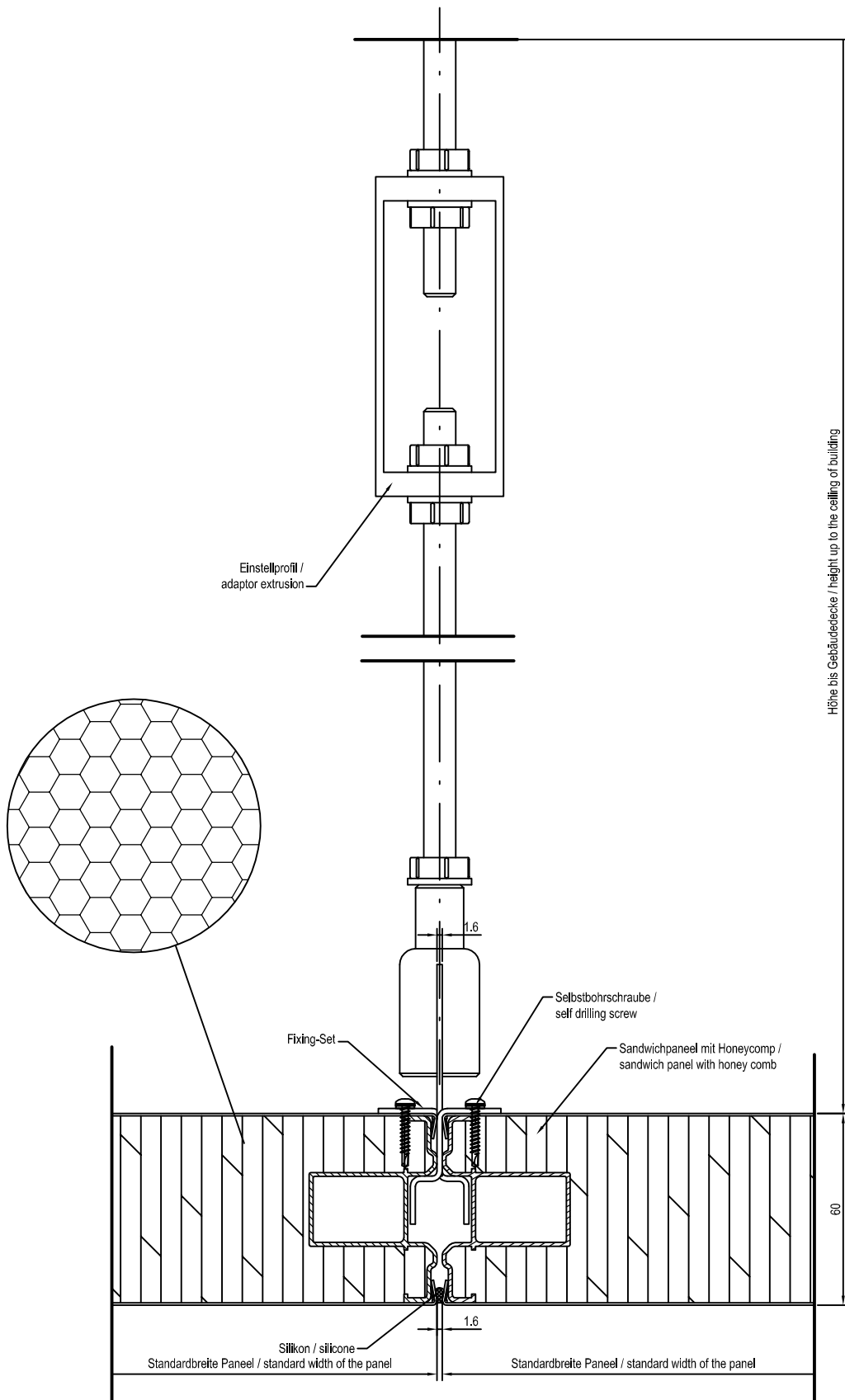
Surface of beam / extrusion	Aluminium, alloyed 6060T5
Surface of panel	Aluminium frame, steel sheet 0,6 mm, on both sides
Panels	1200 mm
Standard color	RAL 9010
Standard grid	60 mm
Walkable	Yes



Alle Toleranzen nach DIN ISO 2768 mittel				Material		
This drawing is our literary property and may neither copied nor to be exposed approachable to third persons without our agreement; according to German Copyright Act						
				Datum	Name	Bezeichnung: Sandwich-Deckenanschluss an PDA-Wand / Ceiling connection with sandwich panel to PDA wall
				Gezeichnet	06.08.2014 jk	
				Kontrolliert		
				Norm		Z-Nr: VRS_PD4_10_0001
				Projekt Nr.		
Status	Änderungen	Datum	Name			1 A3



Alle Toleranzen nach DIN ISO 2768 mittel				Material				
This drawing is our literary property and may neither copied nor to be exposed approachable to third persons without our agreement; according to German Copyright Act								
				Datum	Name	Bezeichnung: Schnitt A Deckenanschluss, Polyurethan Paneel / Ceiling connection, polyurethane panel		
				Gezeichnet	06.08.2014			jk
				Kontrolliert				
				Norm				
				Projekt Nr.		Z-Nr: VRS_PD4_12_0001		
						1		
						A4		
Status	Änderungen	Datum	Name					



Alle Toleranzen nach DIN ISO 2768 mittel

This drawing is our literary property and may neither copied nor to be exposed approachable to third persons without our agreement; according to German Copyright Act

Material

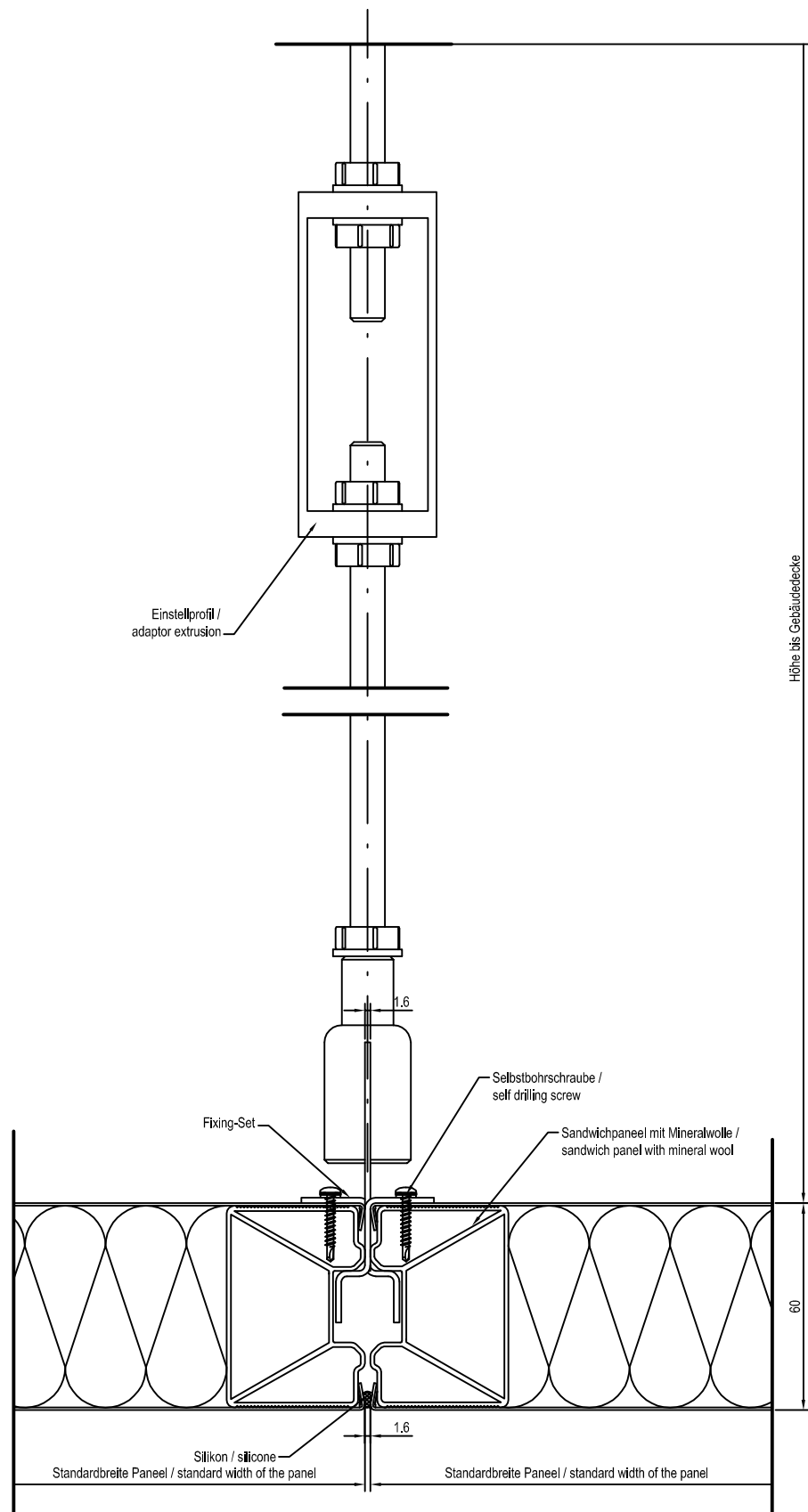


	Datum	Name
Gezeichnet	06.08.2014	jk
Kontrolliert		
Norm		

Bezeichnung:
Schnitt A
Deckenanschluss, Honeycomp Paneel /
Ceiling connection, honeycomp panel

Projekt Nr.			
Status	Änderungen	Datum	Name

Z-Nr: VRS_PD4_12_0002	1
	A4



Einstellprofil /
adaptor extrusion

Höhe bis Gebäudedecke

1.6

Selbstbohrschraube /
self drilling screw

Fixing-Set

Sandwichpaneel mit Mineralwolle /
sandwich panel with mineral wool

60

Silikon / silicone

Standardbreite Paneel / standard width of the panel

1.6

Standardbreite Paneel / standard width of the panel

Alle Toleranzen nach DIN ISO 2768 mittel

Material

This drawing is our literary property and may neither copied nor to be exposed approachable to third persons without our agreement; according to German Copyright Act

OCTANORM 

	Datum	Name
Gezeichnet	06.08.2014	jk
Kontrolliert		
Norm		

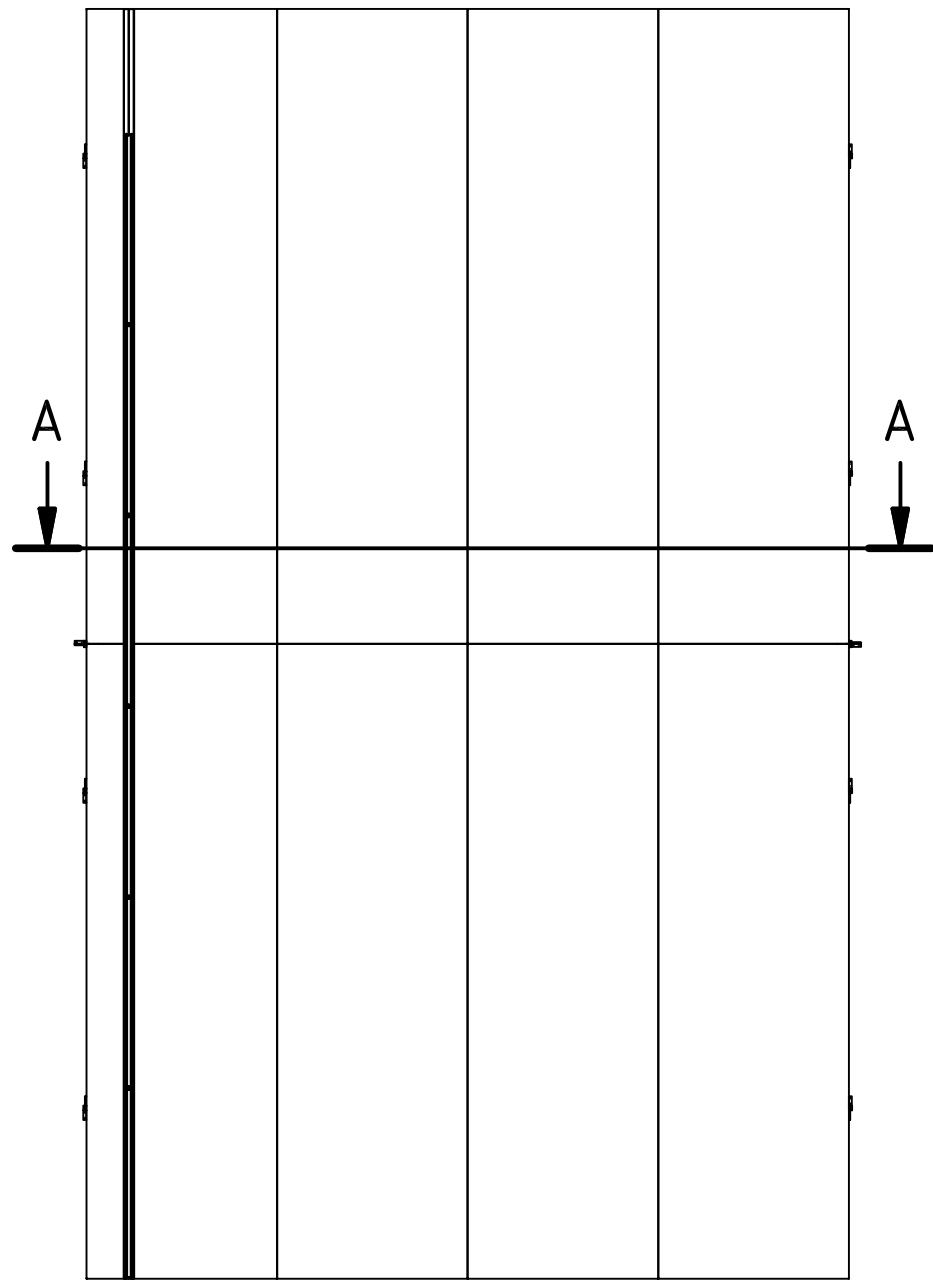
Bezeichnung:
Schnitt A
Deckenanschluss, Mineralwolle Paneel /
Ceiling connection, rock wool panel

Status	Änderungen	Datum	Name

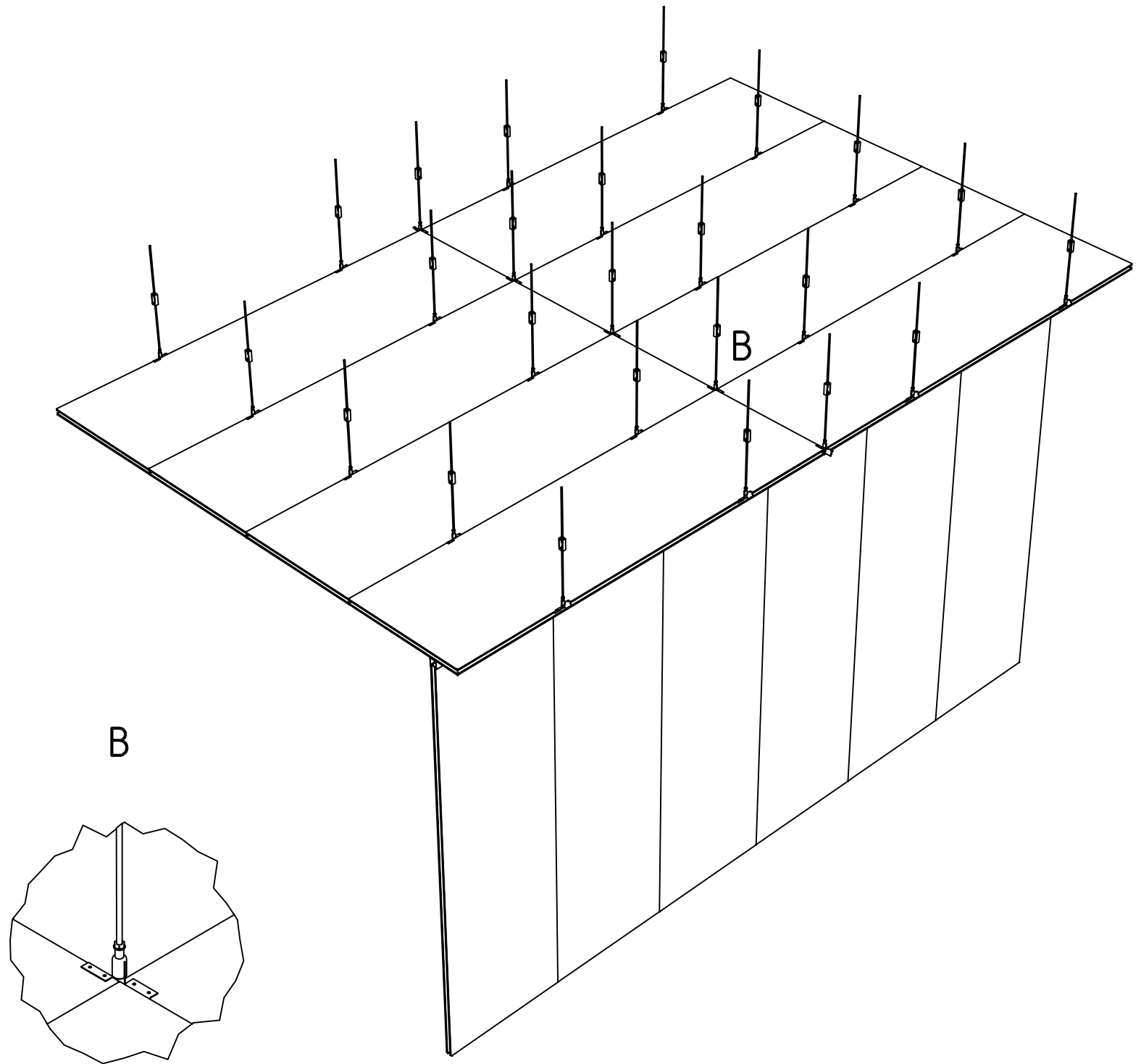
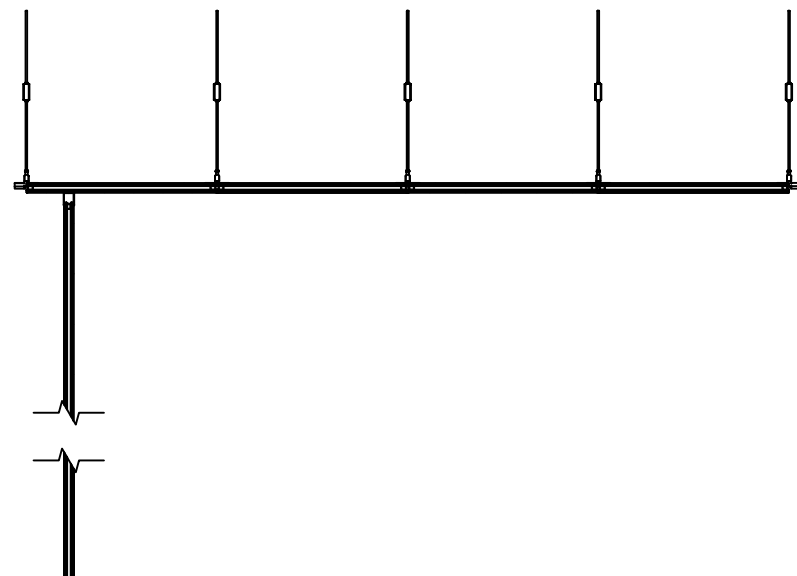
Projekt Nr.

Z-Nr: VRS_PD4_12_0003

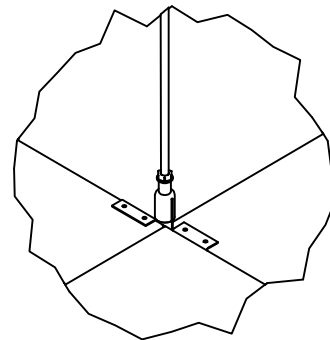
1
A4




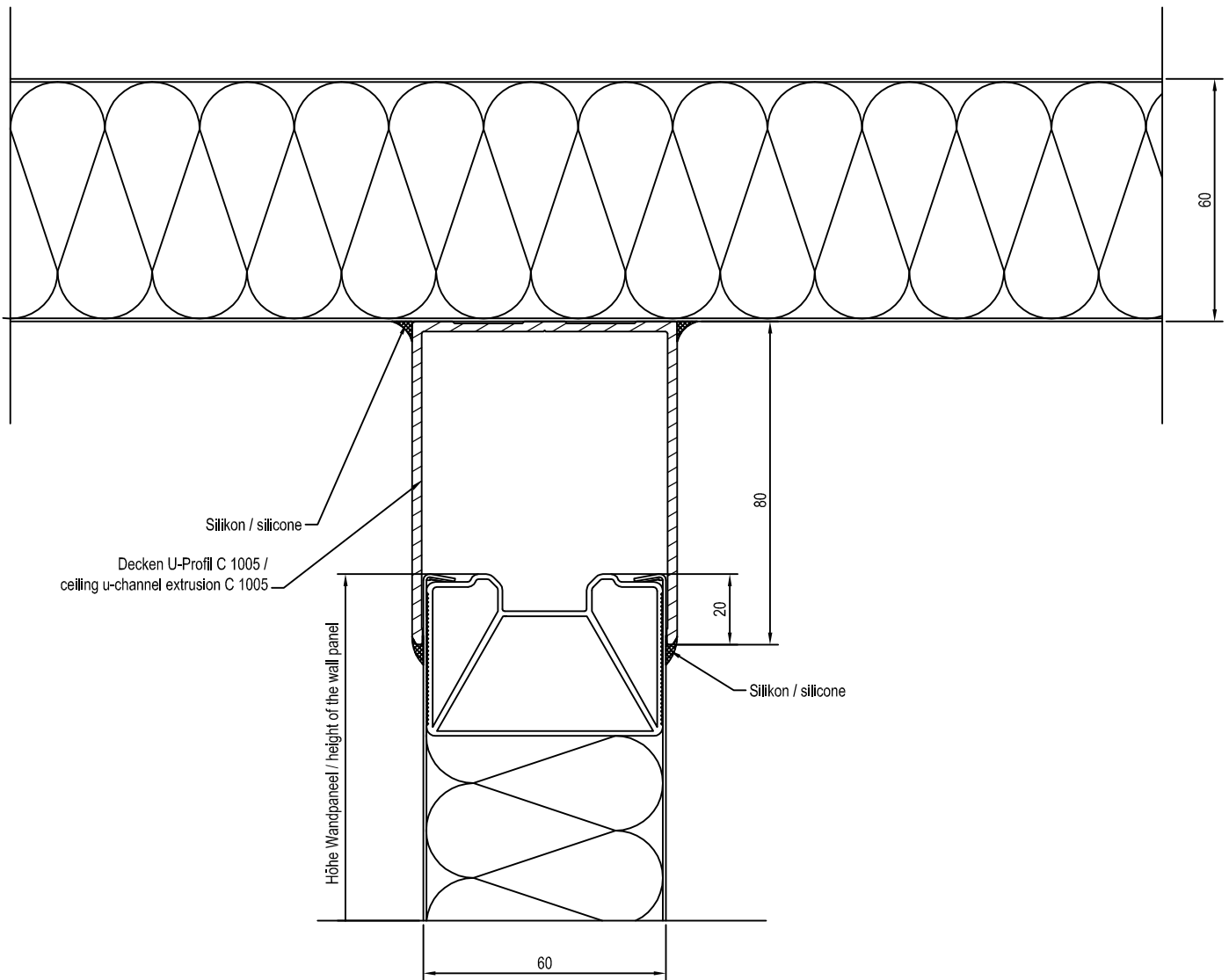
A-A




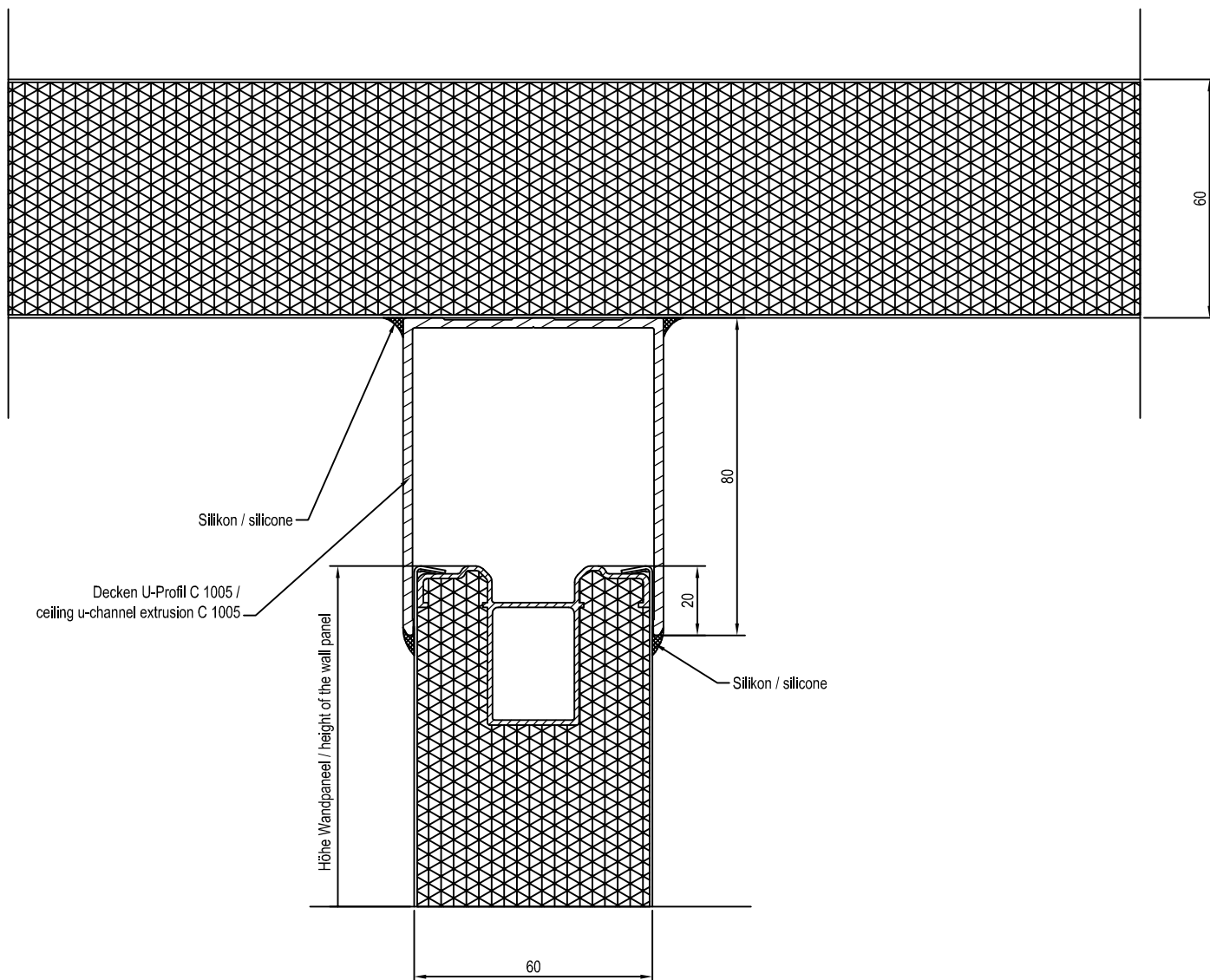
B




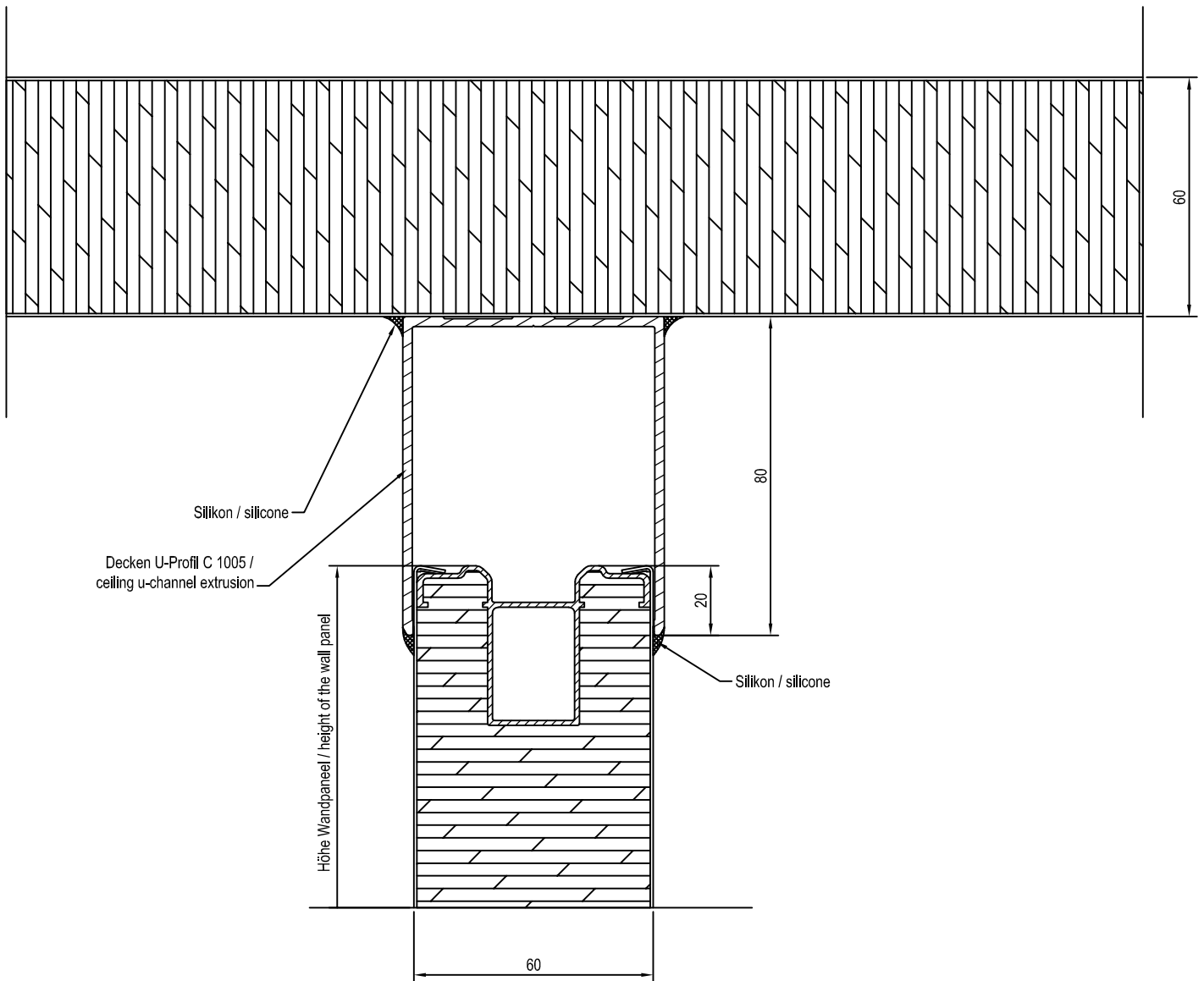
Alle Toleranzen nach DIN ISO 2768 mittel				Material		
This drawing is our literary property and may neither copied nor to be exposed approachable to third persons without our agreement; according to German Copyright Act				Datum	Name	
				Gezeichnet	08.08.2014	jk
				Kontrolliert		
				Norm		
				Projekt Nr.		Bezeichnung: Sandwich-Deckenanschluss an PDA-Wand / Ceiling connection with sandwich panele to PDA-wall
Status	Änderungen	Datum	Name	Z-Nr: VRS_PD4_20_0001		1
						A3



Alle Toleranzen nach DIN ISO 2768 mittel				Material		
This drawing is our literary property and may neither copied nor to be exposed approachable to third persons without our agreement; according to German Copyright Act						
				Datum	Name	Bezeichnung: Typ I Deckenanschluss an PDA-Wand, Mineralwolle Paneel / Ceiling connection to PDA wall, rock wool panel
				Gezeichnet	06.08.2014 jk	
				Kontrolliert		
				Norm		
				Projekt Nr.		Z-Nr: VRS_PD4_22_0001
Status	Änderungen	Datum	Name			1 A4



Alle Toleranzen nach DIN ISO 2768 mittel				Material		
This drawing is our literary property and may neither copied nor to be exposed approachable to third persons without our agreement; according to German Copyright Act						
				Datum	Name	Bezeichnung: Typ I Deckenanschluss an PDA-Wand, Polyurethan Paneel / Ceiling connection to PDA-wall, polyurethane panel
				Gezeichnet	06.08.2014 jk	
				Kontrolliert		
				Norm		
				Projekt Nr.		Z-Nr: VRS_PD4_22_0002
Status	Änderungen	Datum	Name			1 A4



Alle Toleranzen nach DIN ISO 2768 mittel

This drawing is our literary property and may neither copied nor to be exposed approachable to third persons without our agreement; according to German Copyright Act

Material

OCTANORM 

Datum	Name
Gezeichnet 06.08.2014	jk
Kontrolliert	
Norm	

Bezeichnung:

Typ I

Deckenanschluss an PDA-Wand, Honeycomb Paneel / Ceiling connection to PDA-wall, honeycomb panel

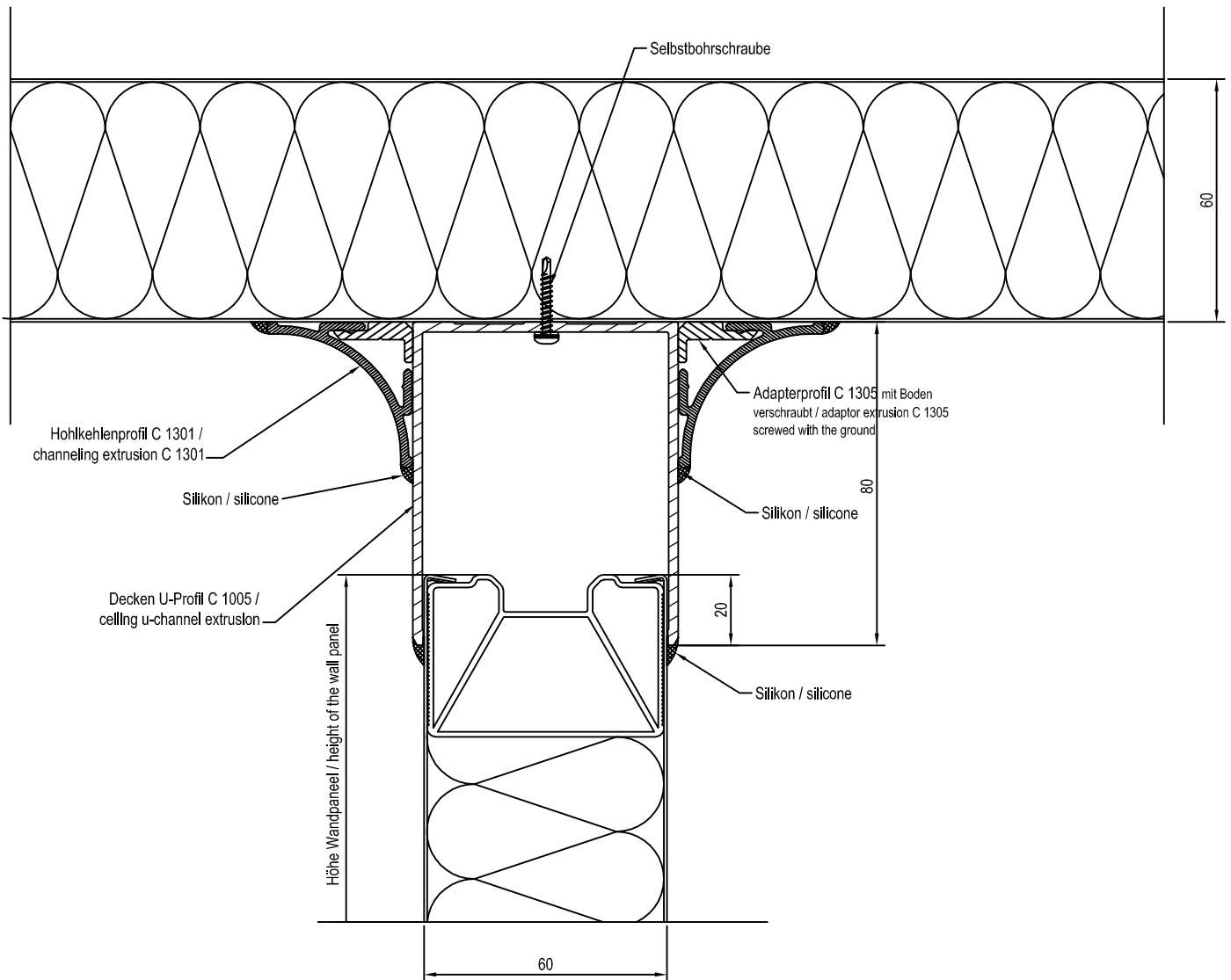
Status	Änderungen	Datum	Name

Projekt Nr.

Z-Nr: VRS_PD4_22_0003

1

A4



Alle Toleranzen nach DIN ISO 2768 mittel

This drawing is our literary property and may neither copied nor to be exposed approachable to third persons without our agreement; according to German Copyright Act

Material

OCTANORM 

	Datum	Name
Gezeichnet	06.08.2014	jk
Kontrolliert		
Norm		

Bezeichnung:

Typ II

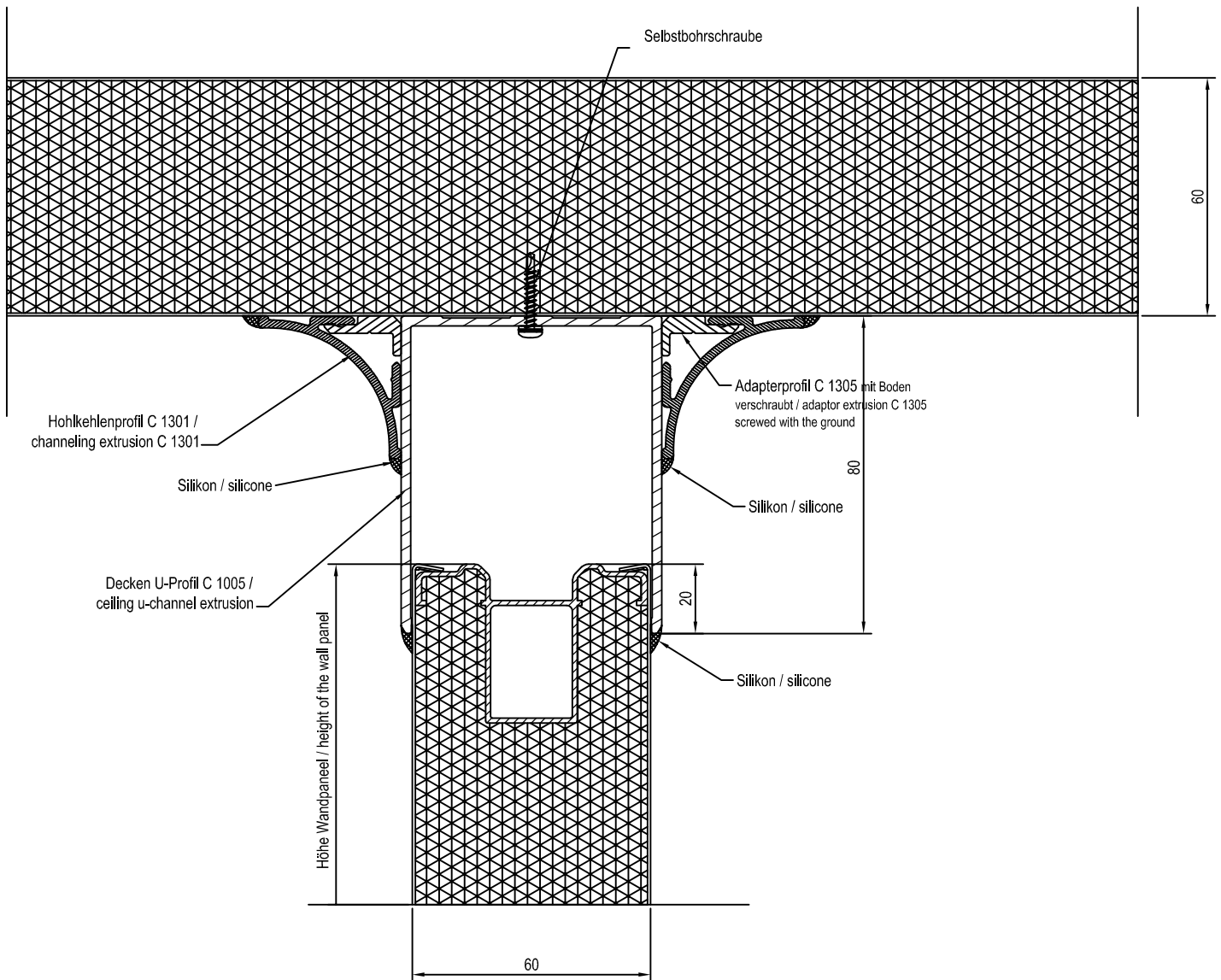
Deckenanschluss an PDA-Wand, Mineralwolle Paneel /
Ceiling connection to PDA-wall, rock wool panel


Status	Änderungen	Datum	Name

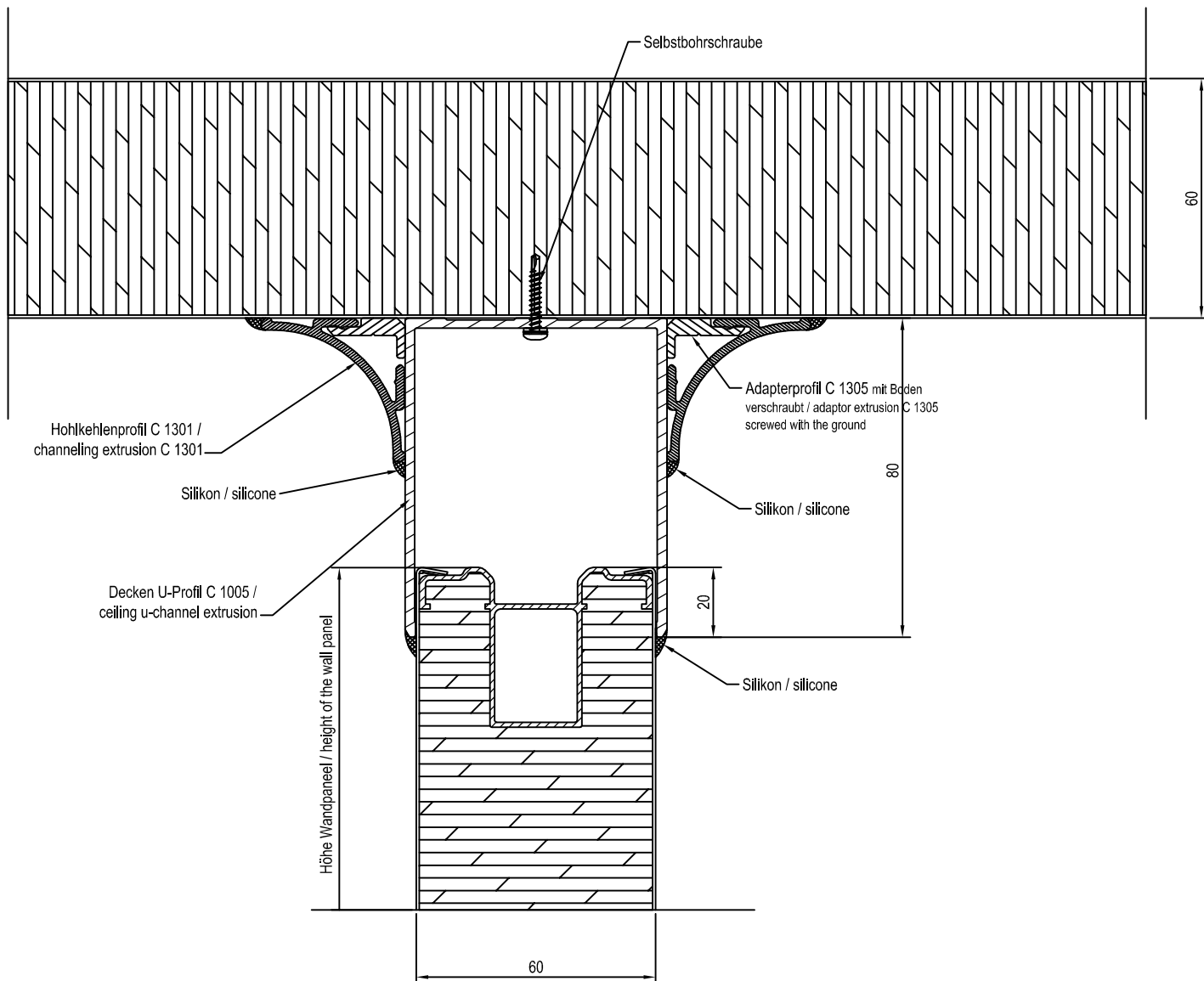
Projekt Nr.


Z-Nr: VRS_PD4_22_0004

1
A4



Alle Toleranzen nach DIN ISO 2768 mittel				Material		
This drawing is our literary property and may neither copied nor to be exposed approachable to third persons without our agreement; according to German Copyright Act						
				Datum	Name	Bezeichnung: Typ II Deckenanschluss an PDA-Wand, Polyurethan Paneel / Ceiling connection to PDA-wall, polyurethane panel
				Gezeichnet	06.08.2014 jk	
				Kontrolliert		
				Norm		
				Projekt Nr.		Z-Nr: VRS_PD4_22_0005
Status	Änderungen	Datum	Name			1 A4



Alle Toleranzen nach DIN ISO 2768 mittel				Material		
This drawing is our literary property and may neither copied nor to be exposed approachable to third persons without our agreement; according to German Copyright Act						
				Datum	Name	Bezeichnung: Typ III Deckenanschluss an PDA-Wand, Honeycomb Paneel / Ceiling connection to PDA-wall, honeycomb panel
			Gezeichnet	06.08.2014	jk	
			Kontrolliert			
			Norm			
				Projekt Nr.		Z-Nr: VRS_PD4_22_0006
Status	Änderungen	Datum	Name			1 A4